



# Drop-Down Mount Accessory for RoboTRAK

Part Number 535-2000-045

## UNPACKING:

Carefully unpack and identify all the parts from the packaging. (Cameras are not included)

- One (1) 1-14 Hex Nut (jam nut) 1.5" across by .375" Tall
- One (1) Offset Pipe with 1-14 Threads
- One (1) Mounting Flange (5" diameter)
- One (1) Tile Support Brace
- One (1) Large 5" Washer
- Two (2) 1-14 Hex Nut, 1.5" across x .547" Tall (one used as fastener and the other as a top jam nut)

(Cameras are not included)

## INTENDED USE

These products were designed, built and tested for use indoors and to support the weight, size and shape of the prescribed products only. Using these mounts for any other devices could damage that device and/or create potentially unsafe operating conditions.

## SAVE THESE INSTRUCTIONS

The information contained in this manual will help you install and operate your product. If these instructions are misplaced, Vaddio keeps copies of Specifications, Installation and User Guides and most pertinent product drawings for the Vaddio product line on the Vaddio website. These documents can be downloaded from [www.vaddio.com](http://www.vaddio.com) free of charge.

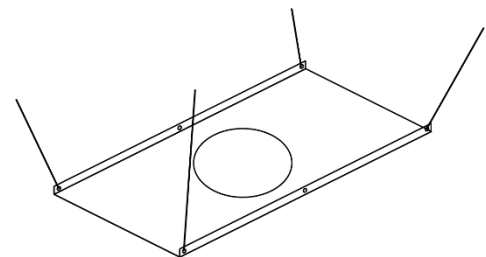
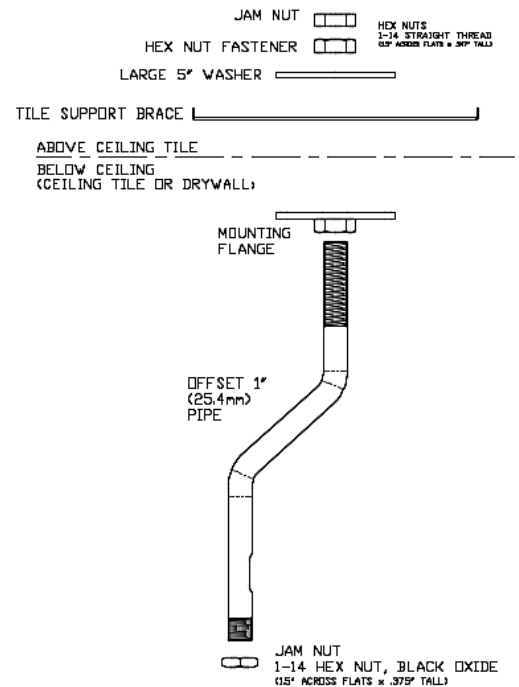
## INSTALLING THE MOUNT AND CAMERA

The Drop-Down Series of camera mounts can be mounted to either 2 x 2' or 2' x 4' ceiling tiles, or a drywall ceiling. When locating the camera, consider viewing angles, lighting conditions, line of site obstructions and check for vibration where the camera is to be mounted. Pick a location to optimize the performance of the camera.

The integrator is responsible for following building codes, determining the suitability of the suspended or drywall ceiling to carry the load of the camera and mount, as well as making sure that the camera is secured to the camera platform properly.

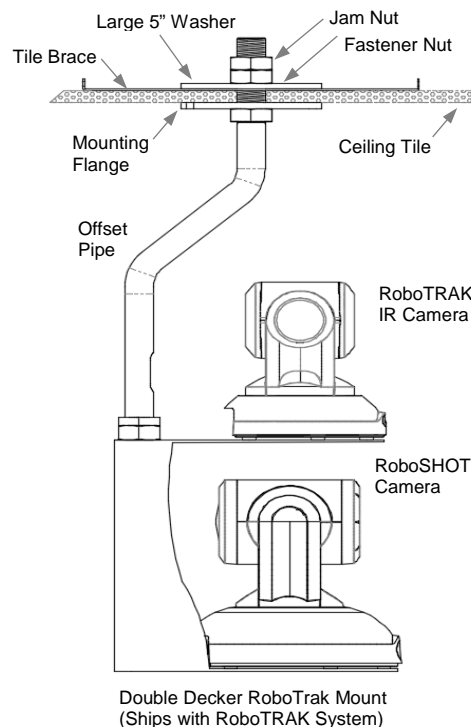
The supplied tile support brace is for use in suspended ceilings. It has six (6) points that can be tied to the structure to meet local building codes for support and (if applicable) seismic stabilization. You will need to supply appropriate hardware (such as Chief's "Speed Connect Hardware Kit," part number CMSHDW) to suspend the tile brace.

SIDE VIEW PARTS EXPLOSION



The mounting system should go together as depicted.

- For suspended ceiling installations, mark a position in the center of a ceiling tile where the ceiling mount is to be placed. The hole must be positioned at the center of the ceiling tile lengthwise for 2' x 4' ceiling tiles to line up with the tile support brace. Use the tile support brace as a template. For drywall ceiling installations, mark a position in the ceiling while making sure that there are no obstructions (structural supports, electrical, etc.) in the area above the mount.
- Drill or cut a 1" (25.4mm) diameter hole in the tile or drywall at the point where you marked the hole.
- For suspended ceiling installations, place the support brace on the top of the ceiling tile and align the hole with the tile support brace. There are six holes drilled in the support brace for attaching to the building structure. Use the hanger holes along either side of the tile brace to attach support wires to tie the tile brace up to the building structure.
- For drywall ceiling installations, place the Mounting Flange over the 1" hole, and mark the four locations in the flange to install appropriate hardware (wall anchors) for mounting the flange to the ceiling.
- Thread the 1.5" x .375" Jam Nut onto the bottom of the pipe (the side with the shorter threads), then thread the Camera Platform all the way onto the pipe. Back the Camera Platform off the pipe (one rotation or less) until the back of the Camera Platform aligns with the cable pass-thru. Carefully tighten the 1.5" x .375" Jam Nut down onto the threaded nut of the Camera Platform.
- Thread the painted 5" flange onto the other end of the pipe.
- For suspended ceiling installations, slide the pipe with 5" flange end through the hole in the ceiling tile. From one tile over, place the 5" washer onto the threaded pipe, and screw the first 1.5" x 5.5" hex nut onto the pipe thread and tighten the hex nut down, then thread the second hex nut (jam nut) onto the top of the pipe and tighten it. Carefully feed the Cat-5 cabling through the pipe and the cable pass-thru at the back of the camera mount. There are six (6) mounting points on the Tile Support Brace to allow the integrator to tie the assembly to the structure for safety in seismic prone areas.
- For drywall ceiling installations, once the appropriate mounting hardware for the flange is installed, carefully pull the Cat-5 cabling through the 1" hole in your drywall ceiling. Thread the cabling through the pipe, and pull it through the cable pass thru at the back of the camera platform. Place the flange on the ceiling and tighten the screws down onto the mounting hardware.
- Place your camera onto the mount and secure it to the camera platform using the supplied black screw(s). Connect the Cat-5 cabling to the back of the camera and carefully feed excess Cat-5 cabling back into the ceiling. Use the ¼" - 20 x .375: screws for the RoboSHOT cameras.



**HARDWARE WARRANTY:** Please see the Vaddio website at [support.vaddio.com](http://support.vaddio.com) for the Vaddio Statement of Warranty for all Vaddio Products. The Statement of Warranty covers the policies and procedures of the Hardware Warranty, Exclusions, Customer Service, Technical Support, Return Material Authorizations (RMA), Voided Warranty, Shipping and Handling and Products Not Under Warranty. The Vaddio Warranty Statement supercedes all other published warranty statements in content and coverages. Vaddio Technical Support can be contacted through the Vaddio website or through e-mail support at [info@vaddio.com](mailto:info@vaddio.com).

**SPECIFIC EXCLUSIONS:** The Drop-Down Offset Mount for the RoboTRAK system is optional. The RoboTRAK system is not included. The double decker mount is included with the RoboTRAK system as a wall mount and is not included with the Drop-Down Offset Mount. If you have any questions regarding what's included, please look at the manuals or contact Vaddio Tech Support.



Vaddio is a brand of Milestone AV Technologies · [www.vaddio.com](http://www.vaddio.com)

Phone 800.572.2011 / +1.763.971.4400 · Fax +1.763.971.4464 · Email [info@vaddio.com](mailto:info@vaddio.com)

Visit us at [support.vaddio.com](http://support.vaddio.com) for firmware updates, specifications, drawings, manuals, technical support information, and more. Vaddio, RoboSHOT, and RoboTRAK are trademarks or registered trademarks of Milestone AV Technologies. All other brand names or marks are used for identification purposes and are trademarks of their respective owners.

In British Columbia, Milestone AV Technologies ULC carries on business as MAVT Milestone AV Technologies ULC.

©2018 Milestone AV Technologies