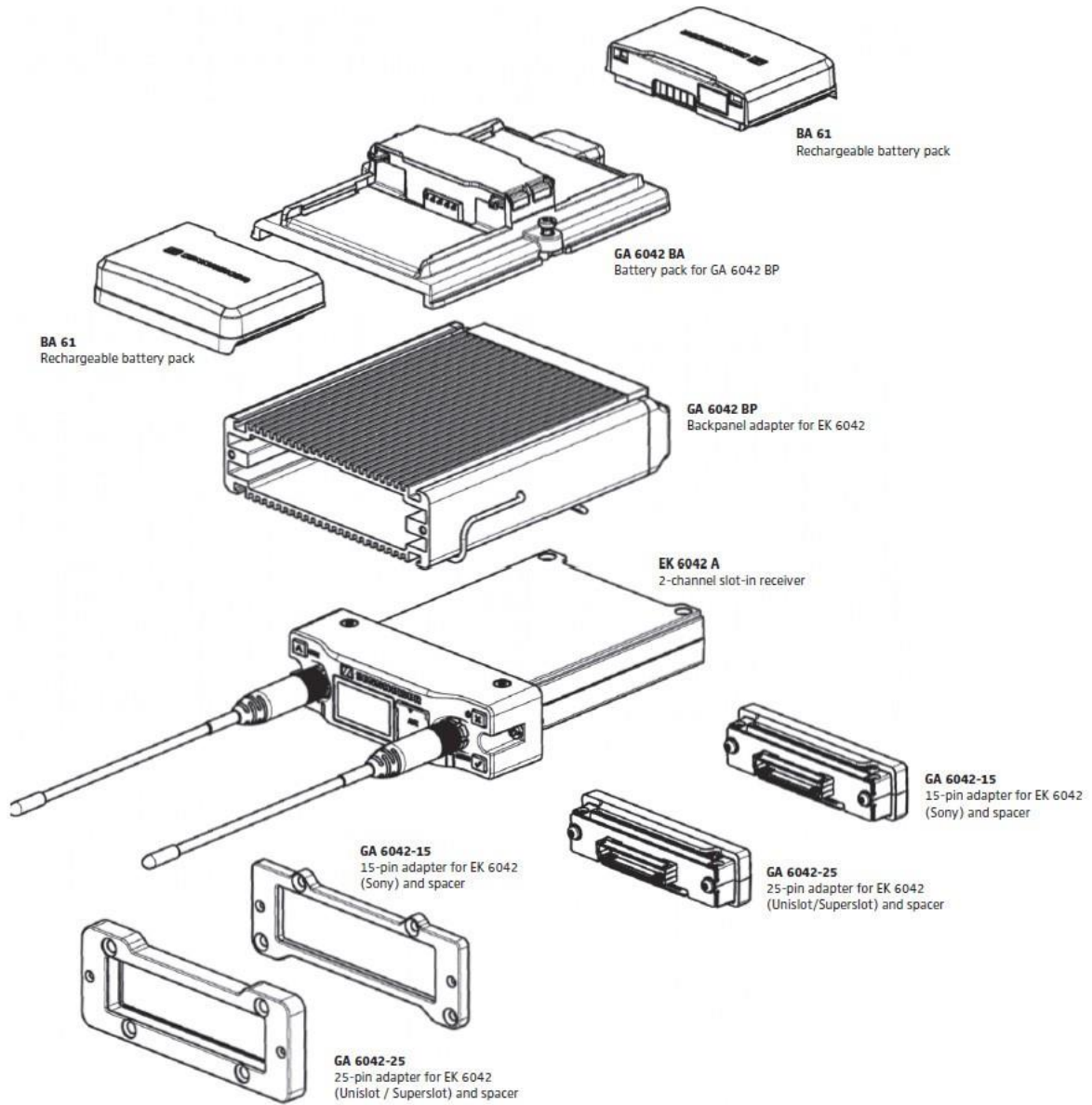


EK 6042



TECHNICAL DATA

Receiver Principle	Super-heterodyne with digital demodulation
Diversity	True diversity (2 x 2 receivers)
Receiving Channels	Two
Receiver Compatibility	D igital modulation: Digital 9000, long-range mode Wideband FM: HiDyn plus, HDX
Frequency Range	470 to 654 MHz
Switching Bandwidth	184 MHz, in steps of 5 kHz
Sensitivity	< -90 dBm (digital modulation) < -94 dBm (wideband FM) @ 52dB audio SNR
Adjacent Channel Rejection	Typ. 70 dB
Audio Frequency Reponse	40 to 20,000 Hz (+/- 3.0 dB)
Dynamics	Typ. 110 dB (A)
THD	Typ. 0.03% (digital modulation) Typ 0.2% (wideband FM)
Latency	3.0 ms (AES3, digital modulation) 1.5 ms (AES3, wideband FM)
Audio Outputs	5-pin mini-XLR-M, balanced MAIN 1 and 2, digital: 0 dBFs, AES3, 48 kHz, 24 bit MAIN1 and 2, analogue: -22 dBu to +8 dB (adjustable) AUX 1 and 2, analogue: -22 dBu to +8 dBu (adjustable)
Configuration Port	Micro-USB socket, Type B