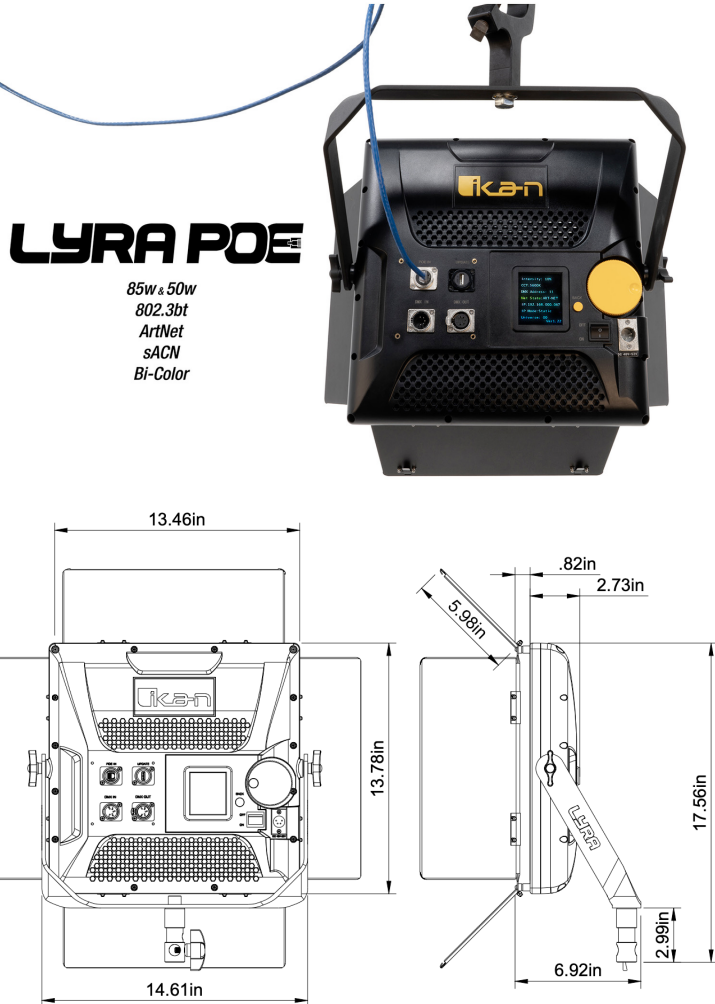


Lyra POE 1x1 Bi-Color Studio Panel Soft LED Light w/ ArtNet and sACN DMX

The Ikan LBX10-POE is a cutting-edge 1x1 soft panel LED light that is simultaneously powered (via PoE++) and DMX controlled (via ArtNet or sACN) through a single Cat6 RJ45 Ethernet cable. These PoE++ lights redefine simplicity, allowing quick and easy connectivity through an Ethernet cable. (Patent Pending)



LYRA POE

85W & 50W
802.3bt
ArtNet
sACN
Bi-Color

Photometrics

Distance	FC	LUX
5600K		
5ft. / 1.5m	100	1076
10ft. / 3m	25	269
15ft. / 4.5m	12	129
4400K		
5ft. / 1.5m	101	1087.2
10ft. / 3m	27	290.6
15ft. / 4.5m	13	139.9
3200K		
5ft. / 1.5m	87	936.5
10ft. / 3m	23	247.57
15ft. / 4.5m	11	118.4

Physical Data	
Beam Angle	110 Degree
Fixture Dimensions	14 x 14 x 3 in. / 35.5 x 35.5 x 7.6 cm
Fixture Weight	6 lbs / 2.7 kg
Illumination Dimensions	12 x 12 in. / 31 x 31 cm
Mechanical Data	
Build Material	Heavy Duty Resin Plastic / Metal
Lens	1/2 Stop Soft Diffusion Panel
Mounting	30 Degree Angled Yoke, Supports Standard Stage Clamps
Stand Use	Baby 5/8" & Junior 1-1/8" Combo Pin w/ 90 Degree Offset
Barn Doors	Installed
Electrical Data	
Power Input	110-220VAC
Operating Voltage	48VDC
Frequency	50/60 Hz
Max Power Consumption	85 W
Color Temperature	Bi-Color 3200K-5600K
Power Loss	Last Scene Hold
LED Type	Chip LEDs
CRI	97
TLCI	99
Power Supply	Input: 110-220VAC; Output: 48VDC @3.12A (Not Included)
Functionality	
Input/Output Ports	RJ45, USB Type A, DMX512 In & Out (5 Pin), 3 Pin XLR (Power)
DMX	ArtNet, sACN, or DMX512 (5 Pin XLR)
Dimming Range	0 - 100%
Cooling	Passive
LED Lifetime	70,000 Hours
Display	LCD Screen
Environmental Data	
Operation Temperature	10 - 110 °F