

High Performance,
Multi-format Compact, HDTV General Purpose Camera

DK-H200



The New DK-H200 is a high-performance special application HDTV/SD camera. The camera is ideal for graphic stands point of view and remote observation applications. With its new 2.4 million pixels native 1080p 3-MOS, the DK-H200 provides outstanding performance. The camera offers sharper and cleaner HD images due to its progressive signal flow and Hitachi's implementation of the latest digital processing technology. The camera achieves outstanding sensitivity, resolution and faithful color reproduction.

Features

● High S/N with HD-SDI

Outstanding Signal-to-noise ratio >62dB measured on the HD-SDI (1080i) output.

● Employs the latest generation Hitachi DSP

High dynamic range and color fidelity are achieved by employing the latest generation of high performance digital video processors. Hitachi is a leading developer for High performance CPU & DSP in Broadcast Fields.

● High Resolution

The latest generation 2/3-inch 2.6 million pixels MOS with micro lenses and digital multi speed signal processing circuits provide a horizontal resolution performance of 1100 TV lines (luminance channel).

● Small & light weight head

- Five Preset shutter speeds
- Lock scan the camera video to images from asynchronous computer monitors, video walls or projectors without flicker
- Automatic Electronic Shutter (AES) maintains the video level with a fixed lens f-stop

● DSP provide advanced image handling and adjustment functions

- Knee saturation and auto-knee
- 12-Vector and Linear Matrix masking
- Skin tone masking
- Automatic Skin Tone Detail Circuits
- Variable Detail Boost Frequency
- Ultra Gamma
- Gray Scale Automatic Setup
- Automatic Shading Correction

● Extensive User-Friendly Features

- Full Auto
- Eight scene files are provided to store and recall functions such as gain, detail, masking, gamma and other settings
- White balance memories are provided for each Scene files for a total of nine memories by the remote control panel
- Menu access is provided for iris level (fine adjustment) and iris peak/average selection
- Computer controlled real-time auto-white balance
- ECC (Electric Color Compensating) filter

Specifications

Sensor	2/3-inch, MOS	
Total pixels	2,270 (H) × 1,144 (V) 2.6 million pixels	
Effective pixels	1,920 (H) × 1,080 (V)	
Aspect ratio	16:9 (HD/SD), 4:3 (SD) switchable	
TV signal format	1080,720/59.94p, 1080/50i/p,	
HD Resolution	1100(H)TVL, 1000(V)	
Standard sensitivity	2000 lx / F10 (1080/59.94i), 2000 lx / F11 (1080/50i) 3200K, 89.9% reflectance	
Minimum illumination	0.02 lx (F1.4/+36dB) +36dB video gain	
HD S/N	Typical 62dB (HD-SDI output decode Y channel Band : 27.5 MHz)	
Optical Filter	Clear, 1/4 ND, 1/16 ND, 1/64 ND	
ECC Filter	3200K, 4300K, 5600K, 6300K, 8000K	
Shutter	PRESET	1/100, 1/250, 1/500, 1/1000, 1/2000 second (59.94i)
		1/60, 1/250, 1/500, 1/1000, 1/2000 second (50i)
		1/59.94 to 1/10000 second, 1.07 (+36dB) to 0.03second (+6dB), (59.94i)
Lock Scan		1/50.00 to 1/10000 second, 1.28 (+36dB) to 0.04second (+6dB), (50i)
Gain selection		L (low) -3/0dB
		M (medium) 0 to +21dB, 3dB steps.
		H (high) +3 to +36dB, 3dB steps.
Dimensions (W × H × D)	99(W) × 105 (H) × 155 (D) (excluding protrusions)	
Power consumption	approx. 15W (DC12V)	
Mass	approx. 1.5 kg (3.3 lbs)	

Input/Output

Genlock	BNC, Tri-level sync / Black burst
SDI output	BNC × 2, x 2 SM fiber via Dual LC * HD-SDI : SMPTE292M/ST425 1.5/3Gbps (Level-A) SD-SDI : SMPTE259M-C 0.8Vp-p/270Mbps
Remote control	1 : 4pin, RS-232C 2 : RJ-45, 10BASE-T/100BASE-TX
Lens control	12pin
VF output	D-sub 15pin

Standard composition

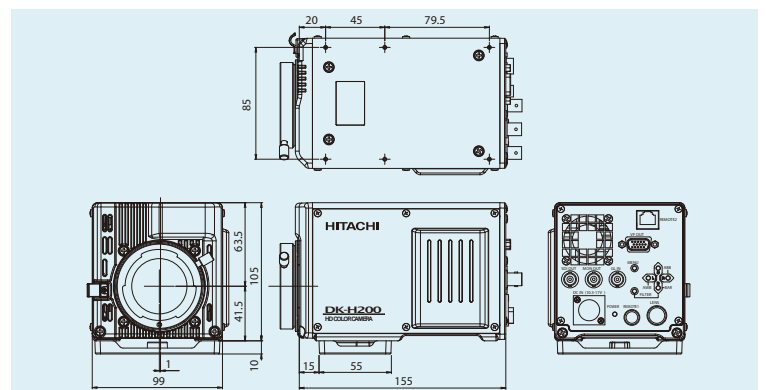
Camera head DK-H200	1
Lens Mount Cap	1
Operation Manual	1

Accessories

Remote control unit	RU-1000VR / RU-1500JY
AC adaptor	IA-60a (I.D.X)
Lens Extension Cable	ECE-R22 (0.22m) (FUJINON)
Setup control units	RU-1500JY or SU-1000, Serial and Ethernet

*Support single fiber output (optional)

Dimensions



CAUTION : To ensure safe operation, please read the instruction manual before using this product.

These Specifications are subject to change without notice.

Hitachi Kokusai Electric Inc. URL : <http://www.hitachi-kokusai.co.jp/>

Head Office : 14-1, Sotokanda 4-choume, Chiyoda-ku, Tokyo 101-8980, Japan
Phone : +81(0)3-6734-9432, Fax : +81(0)3-5209-5942

Hitachi Kokusai Electric (Shanghai) Co., Ltd.
Beijing Branch : Room 1415, Beijing Fortune Building, 5 Dong Sun Huan Bei-Lu, Chao Yang District, Beijing
Phone : +86(0) 10-6590-8755/8756, Fax : +86(0) 10-6590-8757

Hitachi Kokusai Electric America, Ltd. URL : <http://hitachikokusai.us>

Headquarters and : 150 Crossways Park Drive, Woodbury, New York 11797, U.S.A.
Phone : (+1)516-921-7200, Fax : (+1)516-496-3718

Northeast Office : 11258 Monarch, Unite Garden Grove, CA 92841, U.S.A.
Phone : (+1)310-328-6116, Fax : (+1)310-328-6252

West Office : 11258 Monarch, Unite Garden Grove, CA 92841, U.S.A.
Phone : (+1)310-328-6116, Fax : (+1)310-328-6252

Midwest Sales : Phone : (+1)330-334-4115, Fax : (+1)516-496-3718
Service : (+1)989-345-5379

South Sales : Phone : (+1)850-934-1234
Service : (+1)256-774-3777

Parts Center : Phone : (+1)516-682-4435, Fax : (+1)516-921-0993

Latin Sales : Phone : (+1)516-682-4420, Fax : (+1)516-496-3718

Hitachi Kokusai Electric Canada, Ltd. URL : <http://hitachikokusai.ca>

Head Office : 1 Select Avenue Unit#11 Scarborough, Ontario M1V5J3, Canada
Phone : (+1)416-299-5900, Fax : (+1)416-299-0450

Eastern Office : 5795 Chemin St. Francois St. Laurent, Quebec H4S 1B6, Canada
Phone : (+1)514-332-6687, Fax : (+1)514-335-1664

Hitachi Kokusai Electric Europe GmbH URL : <http://www.hitachi-keu.com>

Sales and Engineering : Siemensstr. 9, D-63263 Neu-Isenburg, Germany
Frankfurt office : +49(0) 6102-8332-0, Fax : +49(0) 6102-202616

London office : Windsor House, Britannia Road, Waltham Cross, Hertfordshire EN8 7NX, United Kingdom
Phone : +44(0) 845-121-2177, Fax : +44(0) 845-121-2180
General email address : webmaster@hitachi-keu.com



CERTIFICATE No. JMI-0062

Printed in Japan (D)