

UC-MX50-U

Crestron Flex Advanced Tabletop Medium Room Video Conference System



- *Tabletop audio and video conferencing solution*
- *Present, call, conference, and collaborate using your own UC conference software (BYOD)*
- *Complete kit contains the Crestron Flex tabletop conference device (CCS-UC-1-X), a collaboration camera, HD-RX-USB-2000-C HDMI® over CATx Receiver, cables, and power supply*
- *Easy to specify and install – no custom design, programming, or software installation required*
- *Network management and provisioning and system alerts through the XiO Cloud® service*
- *Premium-level support with Crestron Flex Care (optional)*
- *Enterprise-grade security - connects and communicates securely over any enterprise or SMB network*

The UC-MX50-U provides a complete conferencing and collaboration solution for open-platform UC applications. It supports a single video display and features the Crestron Flex tabletop conference device (CCS-UC-1-X), a collaboration camera (CCS-CAM-USB-F-400), and HDMI® over CATx Receiver (HD-RX-USB-2000-C), cables, and power supply.

Intuitive User Interface with Impressive Audio

The Crestron Flex Tabletop Conference device (CCS-UC-1-X) provides a superior conferencing and collaboration experience with its large 7 in. HD display, integrated 360° quad microphone array, and an AEC-enabled USB speakerphone that supports full-duplex wideband audio performance.

High-Definition Video Conferencing

The included collaboration camera (CCS-CAM-USB-F-400) features an ultra wide-angle 150° diagonal field of view to capture an entire conference room in Full HD 1080p video resolution. High precision aspherical optics, 12 MP CMOS sensor, and advanced video processing ensure a clear video image free from light or noise artifacts. Genius Framing digital autozoom detects the people in the room and frames them for an optimal view.

Voice Calling & Audio Conferencing

The CCS-UC-1-X provides full-duplex conferencing speakerphone capabilities and is compatible with major SIP-compliant phone systems. Dialing and answering calls is easy and intuitive using the large HD color touch screen. Corporate directory access (LDAP) enables one-touch dialing from the customer's centrally-managed directory. Native Skype® for Business VoIP support enables one-touch join capability for scheduled Skype meetings (audio only), or you can place a Skype call using the directory or dial pad.

The CCS-UC-1-X can pair with a mobile phone using Bluetooth® connectivity to make or join phone calls, or to use as a speaker and/or microphone for an application running on a smartphone. When used for calls, controls for the Bluetooth-enabled phone appear on the touch screen, enabling instant connectivity with the press of a button.

The CCS-UC-1-X functions like any USB Audio Class device, allowing you to connect a laptop computer via USB to improve audio performance for any softphone, multimedia, or audio conferencing application running on the laptop.

BYOD Multimedia Presentation

Connect a display device to the HD-RX-USB-2000-C's HDMI output port to enable high-definition video presentation from all types of BYOD sources.

Connect an AV source to the CCS-UC-1-X's HDMI input port to present full-motion HD video content on the room display. Sources with DisplayPort™ or USB Type-C® outputs can also be connected using an optional Crestron video cable system ([CBL-MULTI-6](#) or [CBL-MULTI-12](#), sold separately).

Use the built-in AirMedia® technology for wireless presentation of content from a laptop, smartphone, or tablet device via the room's Wi-Fi® wireless network.

Visit www.crestron.com/airmedia for more information.¹

Video conferencing & Web Collaboration

Videoconferencing is enabled by connecting a laptop running a web conferencing or UC application such as Microsoft Teams®, Rooms, Skype for Business, Cisco Webex®, GotoMeeting®, Slack®, BlueJeans, or Zoom Rooms™. All participants are provided with enhanced bidirectional audio along with a high-definition view of the whole room.

Connect the laptop's HDMI output to allow the whole room to view far-end content and camera images on the main room display. Laptops with DisplayPort or USB Type-C outputs can also be connected using an optional Crestron video cable system ([CBL-MULTI-6](#) or [CBL-MULTI-12](#), sold separately).

HDMI over CATx Receiver

The HDMI over CATx Receiver (HD-RX-USB-2000-C) receives uncompressed HDMI, CEC, RS-232, Ethernet, and IR signals sent from a Crestron Flex tabletop conference device (CCS-UC-1-X) through a single CAT type² cable. Signals are

UC-MX50-U

Crestron Flex Advanced Tabletop Medium Room Video Conference System

broken out to relevant output ports for connection to the front-of-room display.

Enterprise-Grade Security

Crestron Flex is an enterprise-grade solution that is ideally equipped for mass deployment throughout any sized corporate, university, medical, military, or government facility. Its advanced security features ensure privacy, reliability, and compliance with your organization's IT policies.

Easy Provisioning and Device Management

The XiO Cloud service³ is an IoT cloud-based provisioning service that enables installers and IT managers to easily deploy and manage thousands of devices. The XiO Cloud service allows for system alerts, network management and provisioning.

Visit www.crestron.com/xiocloud for additional information.

Premium-Level Support

Crestron Flex Care is an optional subscription service that automatically renews annually, providing 24/7 live remote technical support, an extended five year warranty on Crestron® hardware, expedited advance replacements, and a discounted rate for on-site support.

Visit www.crestron.com/flexcare for additional information.

Specifications

Included Components

CCS-UC-1-X	Crestron Flex tabletop conferencing device; <ul style="list-style-type: none">• PW-2420RU Universal power supply and power cord• Cable, CAT5e, RJ-45-to-RJ-45, 12 ft (3.66 m);• Cable management hardware
CCS-CAM-USB-F-400	Collaboration Camera
HD-RX-USB-2000-C	HDMI over CATx Receiver
CBL-USBC-USBA-6	USB Type-C® right-angle to USB A cable 6 ft (1.8 m)
CBL-HD-THIN-HS-6	HDMI Cable, Thin, Type A Male-to-Male, 6 ft (1.8 m)
CBL-HD-6	HDMI Interface Cable, 6 ft (1.8 m)
CBL-USB-A-BMICRO-6	USB Cable, USB Type A Male to Micro-B Male cable, 6 ft (1.8 m)
DM-CBL-ULTRA-PC-20	Ethernet LAN cable for touch screen, CAT6a, RJ-45-to-RJ-45, blue, 20 ft (6 m)

[STIRP](#)

IR Emitter Probe w/3.5 mm Mini Phone Plug

[UC-CAM-WMK](#)

Wall Mount Kit for Crestron Cameras

Crestron Flex tabletop conferencing device

Touch Screen	7 in. (178 mm) diagonal capacitive multi-touch TFT active matrix color LCD, 1280 x 800 pixels
Mic Mute Symbol & Light Bar	Capacitive buttons with bi-color LEDs, either button toggles between mute and unmute
AEC	Limes Audio TrueVoice® acoustic echo cancellation, automatic mic mixing, automatic gain control, and dynamic noise reduction; Full-duplex IEEE 1329 Type 1 compliant
Speaker	Full range speaker; Amplifier power: 11 W; 95 dB SPL at 0.5 m maximum output; Frequency response: 90 Hz to 22 kHz
Microphones	360° quad mic array; Pickup range (typical): 20 ft (6 m)
Extension Microphones	Supports two mic pods, model CCS-UCA-MIC KIT (sold separately)
Occupancy Sensor	6 ft (1.83 m) PIR range in front of touch screen;
Ethernet	100 Mbps, enterprise-grade security and management including IEEE 802.1X, Active Directory® authentication, LDAP, Kerberos, SSL, TLS, SSH, SFTP (SSH File Transfer Protocol), SRTP, digest access authentication, password login, HTTPS secure provisioning, XiO Cloud service
USB	USB 2.0 micro Type B device port; Supports UAC for audio interface
Power	24 VDC via external 100-240 VAC, 50/60 Hz power pack, model PW-2420RU (included)
Dimensions	Height: 4.11 in. (105 mm) Width: 8.92 in. (227 mm) Depth: 12.74 in. (324 mm)
Weight	5.50 lb (2.5 kg)

NOTE: The CCS-UC-1-X cannot be powered by Power over Ethernet or PoE+.

UC-MX50-U

Crestron Flex Advanced Tabletop Medium Room Video Conference System

Camera

Image Sensor	12 Megapixel 1/2.3 CMOS sensor
Lens	High precision, ultra wide angle, six element aspherical glass lens
Field of View	150° diagonal, 120° horizontal, 90° vertical
Aperture	f/2.8
Autozoom	Genius Framing automatic lossless digital zoom intelligently frames around people in the room
Connectivity	Plug-and-play USB 3.1
Resolution/FPS	HD 1080p @ 30 fps
Dimensions	Height: 1.40 in. (36 mm) Width: 1.60 in. (41 mm) Depth: 2.82 in. (72 mm)
Weight	4.2 oz (120 g)

HDMI over CATx Receiver

Video Output Signal Types	HDMI (DVI-compatible ⁴)
Audio Output Signal Types	HDMI
Communications	Ethernet: 100 Mbps pass-through; USB: USB 2.0 pass-through for camera; RS-232: 2-way serial pass-through up to 115.2k baud (Transmit Data/Receive Data only); IR: IR signal pass-through up to 60 kHz; HDMI: HDCP 2.2, EDID, CEC pass-through HDMI over CATx ² : HDCP 2.2, EDID, Ethernet, CEC/IR/RS-232
Power Pack (included)	Input: 0.8 A (maximum) @ 100-240 VAC, 50/60 Hz; Output: 1.25 A @ 24 VDC; Model: PW-2412WU
Dimensions	Height: 4.47 in. (114 mm) Width: 9.61 in. (244 mm) Depth: 0.99 in. (25 mm)
Weight	1.71 lb (776 g)

Model

UC-MX50-U

Crestron Flex Advanced Tabletop Medium Room Video Conference System

Available Accessories

For a list of available accessories, visit the [UC-MX50-U](#) product page.

Notes:

1. AirMedia wireless presentation requires a wired network connection between the Crestron Mercury[®] console and an external Wi-Fi wireless access point (not included). Laptops may alternately connect to AirMedia using a wired Ethernet connection. Full-motion video performance is dependent upon the performance of the network and the sending device. Computer client software and mobile device apps are available for download at www.crestron.com/airmedia.
2. CAT5e or better.
3. The XiO Cloud service is a room based subscription service available separately.
4. Requires [CBL-HD-DVI](#) interface cable (sold separately).

This product may be purchased from select authorized Crestron dealers and distributors. To find a dealer or distributor, please contact the Crestron sales representative for your area. A list of sales representatives is available online at www.crestron.com/How-To-Buy/Find-a-Representative or by calling 855-263-8754.

This product is covered under the Crestron standard limited warranty. Refer to www.crestron.com/warranty for full details.

The specific patents that cover Crestron products are listed online at patents.crestron.com.

Certain Crestron products contain open source software. For specific information, please visit www.crestron.com/opensource.

Crestron, the Crestron logo, AirMedia, Crestron Mercury, and XiO Cloud are either trademarks or registered trademarks of Crestron Electronics, Inc. in the United States and/or other countries. Bluetooth is either a trademark or registered trademark of Bluetooth SIG, Inc. in the United States and/or other countries. Cisco Webex is either a trademark or registered trademark of Cisco Technology, Inc. in the United States and/or other countries. GotoMeeting is either a trademark or registered trademark of Citrix Online, LLC in the United States and/or other countries. TrueVoice is either a trademark or registered trademark of Google Inc. in the United States and/or other countries. HDMI is either a trademark or registered trademark of HDMI Licensing LLC in the United States and/or other countries. Active Directory, Microsoft Teams, and Skype are either trademarks or registered trademarks of Microsoft Corporation in the United States and/or other countries. Slack is either a trademark or registered trademark of Slack Technologies, Inc. in the United States and/or other countries. USB Type-C is either a trademark or registered trademark of USB Implementers Forum, Inc. in the United States and/or other countries. DisplayPort is either a trademark or registered trademark of Video Electronics Standards Association in the United States and/or other countries. Wi-Fi is either a trademark or registered trademark of Wi-Fi Alliance in the United States and/or other countries. Zoom Rooms is either a trademark or registered trademark of Zoom Video Communications, Inc. in the United States and/or other countries. Other trademarks, registered trademarks, and trade names may be used in this document to refer to either the entities claiming the marks and names or their products. Crestron disclaims any proprietary interest in the marks and names of others. Crestron is not responsible for errors in typography or photography.

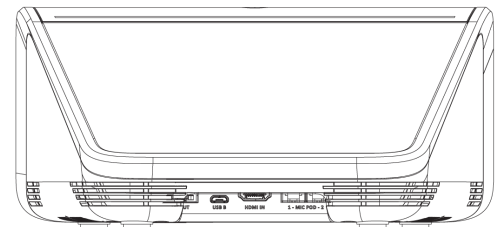
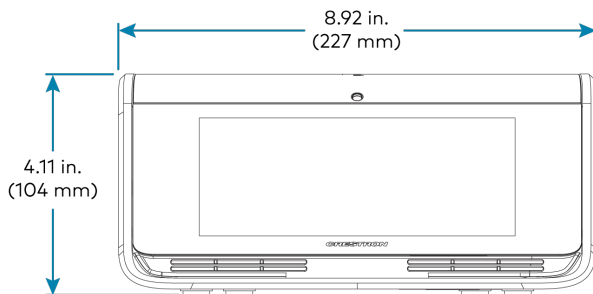
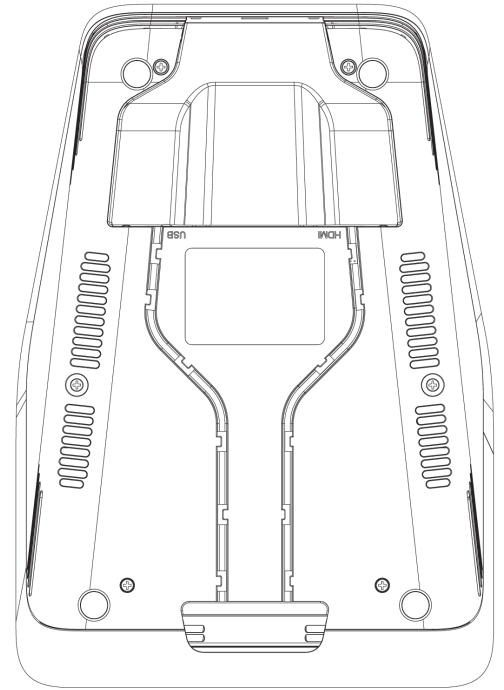
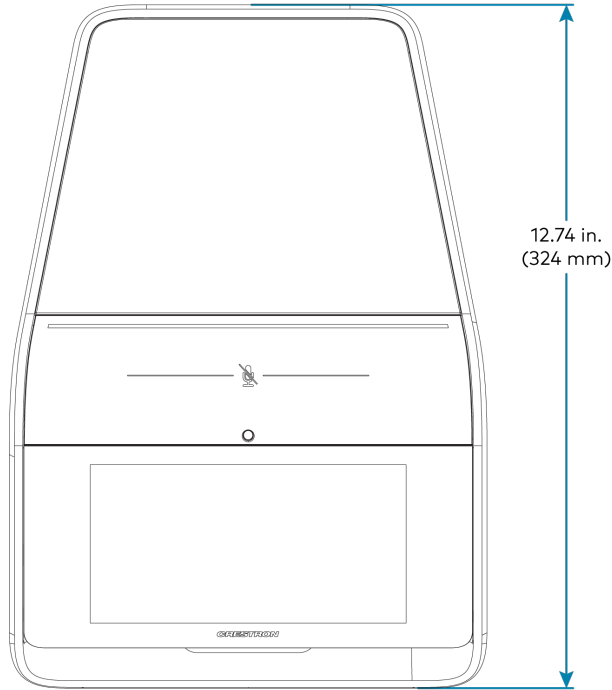
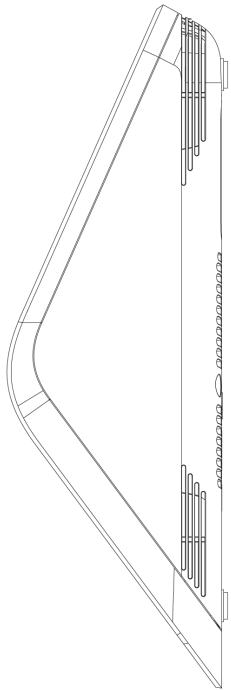
Specifications are subject to change without notice.

©2021 Crestron Electronics, Inc.
Rev 07/13/21

UC-MX50-U

Crestron Flex Advanced Tabletop Medium Room Video Conference System

CCS-UC-1-X



UC-MX50-U

Crestron Flex Advanced Tabletop Medium Room Video Conference System

HD-RX-USB-2000-C

