

## ATEM Television Studio HD8 ISO



ATEM Television Studio HD8 ISO includes all the features of ATEM Television Studio HD8 plus adds ISO recording of all 8 inputs to separate video files. Also supports up to 8 remote cameras via local Ethernet or globally via the internet. Remote cameras even support tally and camera control!

**\$3,995**

### Connections

#### SDI Video Inputs

8

#### SDI Video Outputs

12

#### SDI Rates

1.5G, 3G

#### HDMI Video Outputs

1

#### Total Audio Inputs

2 x XLR balanced analog audio,  
1 x BNC 32 Ch MADI digital audio,  
2 x RCA stereo analog audio,  
1 x 5 pin XLR Talkback.

#### Total Audio Outputs

4 x 1/4 inch Jack analog audio,  
1 x BNC 64 Ch MADI digital audio, up  
to 50 active,  
1 x 5 pin XLR Talkback.

#### SDI Audio Inputs

4 Ch embedded audio on all SDI  
inputs.

#### SDI Audio Outputs

2 Ch embedded audio on all SDI  
outputs.

#### Timecode Connections

1 x BNC In, 1 x BNC Out.

#### Reference Input

1 x BNC In, 1 x BNC Out.  
Tri-Sync or Black Burst.

#### Video Input Re-Sync

On all 8 inputs.

#### Frame Rate and Format Converters

On all 8 inputs.

#### SDI Aux Outputs

2

#### SDI Program Outputs

1

#### Webcam Output

2 x USB-C supporting 720p or 1080p  
at PGM frame rate.

#### Total Multi Views

1 x 3G-SDI  
1 x HDMI

#### Remote

RJ12 supports RS-422

#### Control Panel Connection

Ethernet. Direct connection between  
panel and chassis, or via network.

#### Internal Timecode Generator

Yes

#### Talkback

RJ45 for 3rd party talkback systems.

#### Tally Output

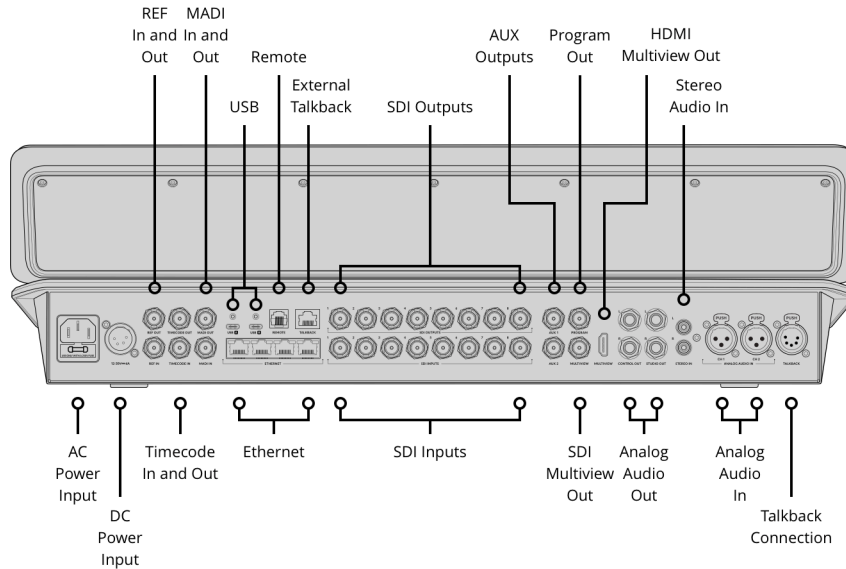
Added via ethernet connection to  
Blackmagic Design GPI and Tally  
Interface product. (Not included).

#### Ethernet

4 x RJ45 with internet network switch.  
Supports 10/100/1000 BASE-T.

#### Computer Interface

2 x USB-C supports USB 2.0 for  
external drive recording, webcam  
out, software control, software  
updates and switcher connection.



## Standards

### SD Video Standards

None

### HD Video Input Standards

720p50, 720p59.94, 720p60  
 1080i50, 1080i59.94, 1080i60  
 1080p23.98, 1080p24, 1080p25,  
 1080p29.97, 1080p30, 1080p50,  
 1080p59.94, 1080p60

### SDI Compliance

SMPTE 292M, SMPTE 296M,  
 SMPTE 424M, SMPTE 425M level A  
 and B.

### Video Sampling

4:2:2

### Color Precision

10-bit.

### Color Space

REC 709

### SDI Auto Switching

Automatically detects between 1.5G-SDI and level A or level B 3G-SDI.

## Product Specifics

### Upstream Keys

4

### Downstream Keys

2

### Advanced Chroma Keys

4

### SuperSource

1

### Linear/Luma Keys

7

### Transition Keyer (Stinger/DVE)

1 Stinger, 1 DVE.

### Total Number of Layers

8

### Pattern Generators

7

### Color Generators

2

### Control Panel

Integrated panel with full control of switching and settings.

### Routable Windows

16

### Windows Source Labels

Yes

### Tally

Red for program and green for preview indication.

### Talkback Support

Yes

### Mix Minus Support

Yes

---

## Streaming Sources

### **Total Streaming Sources**

Up to 8

### **Streaming Source Format**

RTMP video with audio over a local network or internet connection from compatible Blackmagic Design cameras outputting HyperDeck High, HyperDeck Medium, HyperDeck Low, Streaming High, Streaming Medium or Streaming Low quality setting. Please refer to either the Manual or the Information Note at [www.blackmagicdesign.com/support](http://www.blackmagicdesign.com/support) for data rates.

### **Streaming Source Setup**

Mapped to inputs in ATEM Software Control Settings.

---

## Streaming

### **Direct Streaming**

Supports direct live streaming using Real Time Messaging Protocol (RTMP) over ethernet or a shared internet connection over USB-C.

---

## Recording

### **Direct Recording Video and Audio**

USB-C expansion port can record directly to external media.

### **Video Recording**

Program recorded as a H.264 .mp4 file at the streaming quality setting and at the ATEM video standard with AAC audio.

SDI inputs recorded as separate H.264 .mp4 files at up to 70Mb/s quality at the ATEM video standard with AAC audio.

### **Audio Recording**

Audio inputs recorded as separate 24-bit 48KHz .wav files. Includes 8 x SDI 2 channel embedded audio inputs, 4 x analog audio inputs and up to 32 channels of MADI digital audio.

### **Switching**

Program switching recorded as a DaVinci Resolve project .drp file.

### **Media**

All media pool stills and clips saved to a separate media folder.

### **Media Format**

Supports media formatted ExFAT (Windows/Mac). APFS or HFS+ (Mac).

---

## Multi View Monitoring

### Multi View Monitoring

1 x multi view via SDI and HDMI configurable to 16, 13, 10, 7 or 4 up views. Includes monitoring of Program, Preview, Inputs, Media Players, DSKs, SuperSource, Clean Feed with optional labels and audio meters.

### Multi View Video Standard

HD

### Display Minimum Resolution

1366 x 768

---

## Media Player

### Media Players

2

### Channels

Fill and key for each media player.

### Media Pool Still Image Capacity

20

### Media Pool Still Image Format

PNG, TGA, BMP, GIF, JPEG and TIFF.

### Media Pool Clip Capacity

2 x up to 1080p60.

### Media Player Clip Length in 720 HD

400 frames.

### Media Player Clip Length in 1080 HD

200 frames.

### Media Pool Video File Format

TGA sequence.

### Media Pool Audio File Format

WAV, MP3 and AIFF.

---

## Processing

### Processing Delay

< 10 lines when genlocked and in the same format as the switcher.

### Audio Mixer

58 Channel mixer.  
Selectable On/Off/Audio-Follow-Video.  
Level and Peak metering.  
Master gain control.  
6 band parametric EQ, Dynamics including Expander, Gate, Compressor and Limiter.

### Camera Control

When used with most Blackmagic Design cameras, ATEM can control focus, iris and zoom of compatible lenses and camera settings including gain, white balance, tint, shutter, ND filter, color corrector, tally and record start/stop.

### Down Conversion

None

---

## Software

### Control Panel Included

ATEM Software Control Panel included free for Mac 12.0 Monterey, Mac 13.0 Ventura or later. and Windows 10 or 11.

### Software Updates

Using USB or Ethernet connection directly connected to Mac OS or Windows computers. Includes ATEM Setup Utility.

---

## Operating Systems



Mac 12.0 Monterey,  
Mac 13.0 Ventura or later.



Windows 10 and 11.

---

## Power Requirements

### Power Supply

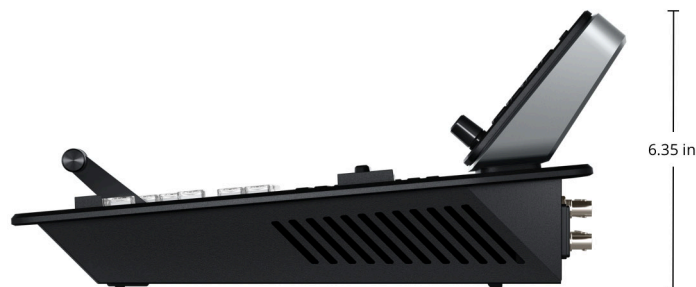
1 x Internal 100 - 240 AC 50/60Hz  
with IEC C14 socket.  
1 x 4 pin XLR 12V DC In for external  
power supply or battery use.

### Power Usage

100 W max.

---

## Physical Specifications



  
14.9 lb

---

## Physical Installation

### Physical Installation

Desktop or in-desk mount.

---

## Environmental Specifications

### Operating Temperature

0° to 40° C (32° to 104° F)

### Storage Temperature

-20° to 60° C (-4° to 140° F)

### Relative Humidity

0% to 90% non-condensing

---

## What's Included

ATEM Television Studio HD8 ISO

Welcome wallet with QR code for software download

---

## Warranty

12 Months Limited Manufacturer's Warranty.

All items on this website are copyright Blackmagic Design Pty. Ltd. 2023, all rights reserved. All trademarks are property of their respective owners. MSRP includes duties, but excludes sales tax and shipping costs. This website uses remarketing services to advertise on third party websites to previous visitors to our site. You can opt out at any time by changing cookie settings. [Privacy Policy](#)

Blackmagic Design Authorized Reseller