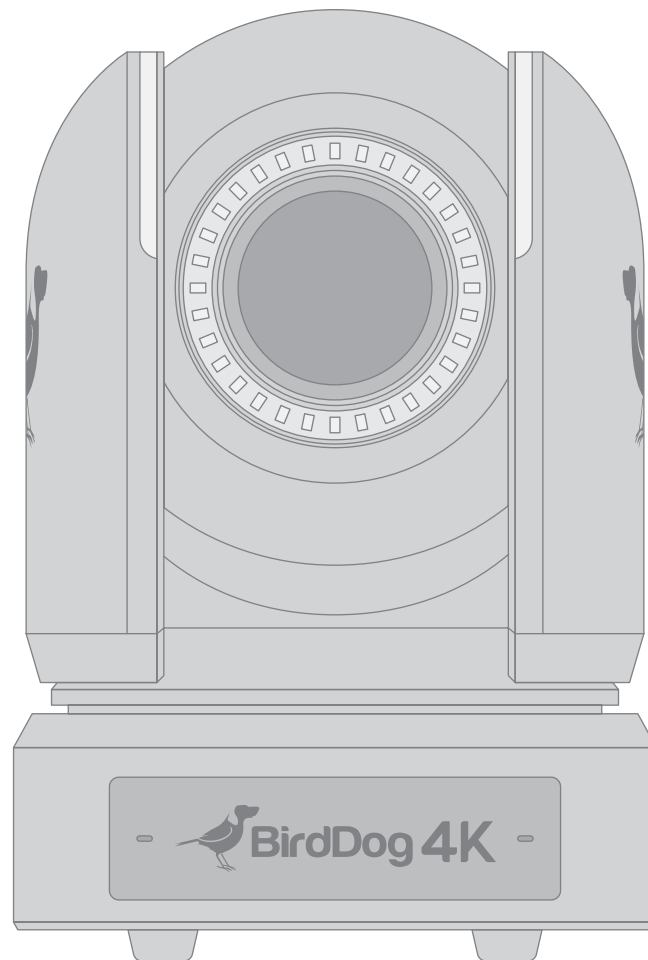




THE HIGHEST QUALITY FULL NDI®
CAMERA ON THE PLANET.



USER GUIDE
PART 1

Contents

- 4. IMPORTANT INFORMATION
- 5. WHAT'S IN THE BOX
- 5. OVERVIEW
- 5. Features
- 6. Camera Diagrams
- 7. System Configuration
- 7. Obtain Video Signal
- 8. Audio IN / OUT
- 8. Camera Control Methods and System Configurations
- 8. Use the Infrared Remote Controller
- 8. Use RS-232 (VISCA)
- 10. Use RS-422(VISCA) / RS485 (PELCO P/D)
- 10. RS422 (VISCA) connection
- 11. PELCO P/D Keyboard RS485 Connection
- 12. Operating Multiple Cameras
- 12. VISCA over IP Control
- 13. DIP SWITCH SETTINGS
- 14. Adjusting and Setting with Menus
- 14. EXPOSURE Menu
- 16. WHITE BALANCE Menu
- 17. DETAIL Menu
- 18. PICTURE Menu
- 18. GAMMA Menu
- 19. NETWORK Menu
- 19. PAN TILT ZOOM Menu
- 20. SYSTEM Menu
- 21. True Dual Output - Video format setting
- 21. FIRMWARE UPGRADE
- 21. Upgrading MCU Firmware
- 21. Upgrading IP Encoder Firmware
- 21. Upgrading FPGA Firmware
- 22. Remote Controller
- 23. Operation Using the Infrared Remote Controller
- 23. Pan/Tilt and Zoom Operation
- 23. Operating Multiple Cameras with the IR Controller
- 23. Adjusting the Camera Focus
- 23. Storing the Camera settings in memory - Preset Feature
- 24. Adjusting the Camera
- 25. AI Feature Mode
- 26. Dimensions

Operating Instructions


Thank you for purchasing our product. If there are any questions, please contact your authorized dealer.

Before operating the unit, please read this manual thoroughly and retain it for future reference.

Copyright

Copyright 2020 BirdDog Australia all rights reserved. No part of this manual may be copied, reproduced, translated, or distributed in any form or by any means without prior consent in writing from our company.

Trademark Acknowledgement

 **BirdDog** and other BirdDog's trademarks and logos are the property of BirdDog Australia. Other trademarks, company names and product names contained in this manual are the property of their respective owners.

- Trademarks and Registered Trademark Acknowledgement
- Microsoft, Windows, ActiveX, and Internet Explorer are registered trademarks of Microsoft Corporation in the U.S. and/or other countries.
- HDMI, the HDMI logo and High-Definition Multimedia Interface are the trademarks or registered trademarks of HDMI Licensing, LLC in the United States and other countries.
- Other trademarks, company names and product names contained in this manual are the property of their respective owners.

IMPORTANT INFORMATION

Legal Notice

Attention:

To ensure account security, please change the password after your first login. You are recommended to set a strong password (no less than eight characters).

The contents of this document are subject to change without prior notice. Updates will be added to the new version of this manual. We will readily improve or update the products or procedures described in the manual.

Best effort has been made to verify the integrity and correctness of the contents in this document, but no statement, information, or recommendation in this manual shall constitute formal guarantee of any kind, expressed or implied. We shall not be held responsible for any technical or typographical errors in this manual.

The product appearance shown in this manual is for reference only and may be different from the actual appearance of your device.

Due to uncertainties such as physical environment, discrepancy may exist between the actual values and reference values provided in this manual.

Use of this document and the subsequent results shall be entirely on the user's own responsibility.



WARNING!

Installation and removal of the unit and its accessories must be carried out by qualified personnel. You must read all of the Safety Instructions supplied with your equipment before installation and operation.

Warnings:

- If the product does not work properly, please contact your dealer. Never attempt to disassemble the camera yourself. (We will not assume any responsibility for problems caused by unauthorized repair or maintenance.)
- This installation should be made by a qualified service person and should conform to all the local codes.
- When shipping, the camera should be packed in its original packaging.
- Make sure the power supply voltage is correct before using the camera.
- Do not drop the camera or subject it to physical shock.
- Do not aim the camera lens at the strong light such as sun or incandescent lamp. The strong light can cause fatal damage to the camera.

Maintenance Precautions:

- If there is dust on the front glass surface, remove the dust gently using an oil-free brush or a rubber dust blowing ball.
- If there is grease or a dust stain on the front glass surface, clean the glass surface gently from the center outward using anti-static gloves or an oil-free cloth. If the grease or the stain still cannot be removed, use anti-static gloves or an oil-free cloth dipped with detergent and clean the glass surface gently until it is removed.
- Do not use organic solvents, such as benzene or ethanol when cleaning the front glass surface.

Regulatory Compliance

FCC Part 15

This equipment has been tested and found to comply with the limits for digital device, pursuant to part 15 of the FCC Rules. These limits are designed to provide reasonable protection against harmful interference when the equipment is operated in a commercial environment. This equipment generates, uses, and can radiate radio frequency energy and, if not installed and used in accordance with the instruction manual, may cause harmful interference to radio communications. Operation of this equipment in a residential area is likely to cause harmful interference in which case the user will be required to correct the interference at his own expense.

This product complies with Part 15 of the FCC Rules. Operation is subject to the following two conditions:

This device may not cause harmful interference.

This device must accept any interference received, including interference that may cause undesired operation.



LVD/EMC Directive

This product complies with the European Low Voltage Directive 2006/95/EC and EMC Directive 2004/108/EC.



WEEE Directive–2002/96/EC

The product this manual refers to is covered by the Waste Electrical & Electronic Equipment (WEEE) Directive and must be disposed of in a responsible manner.



WHAT'S IN THE BOX

Note: The camera color may be in white or black per the item that is purchased.



1x BirdDog P4K



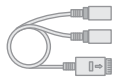
1x IR Remote Controller
(Battery Required)



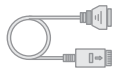
1x Camera Power Adaptor & Power Cord



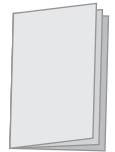
1x Bag of Mounting Screws



1x RJ45 to RS232 Extension Cable



1x RJ45 to RS422 Extension Cable



1x User Manual

Accessories (Optional)



1x Wall Mount



1x Ceiling Mount

OVERVIEW

This user guide is suitable for the following models:

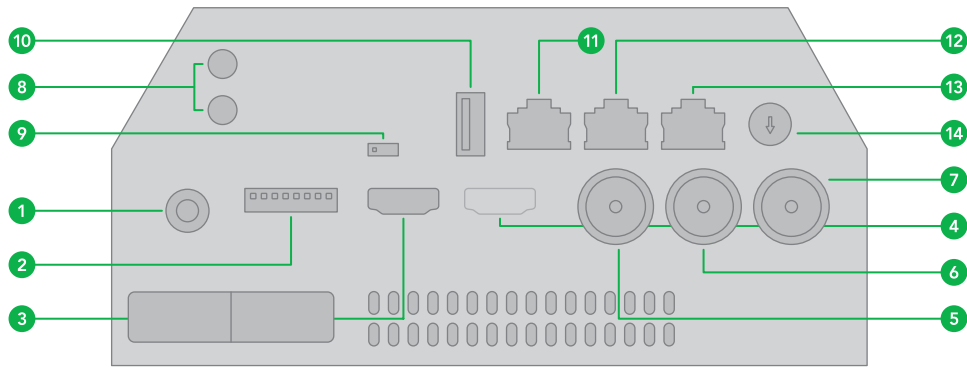
BirdDog Eyes P4K

Features

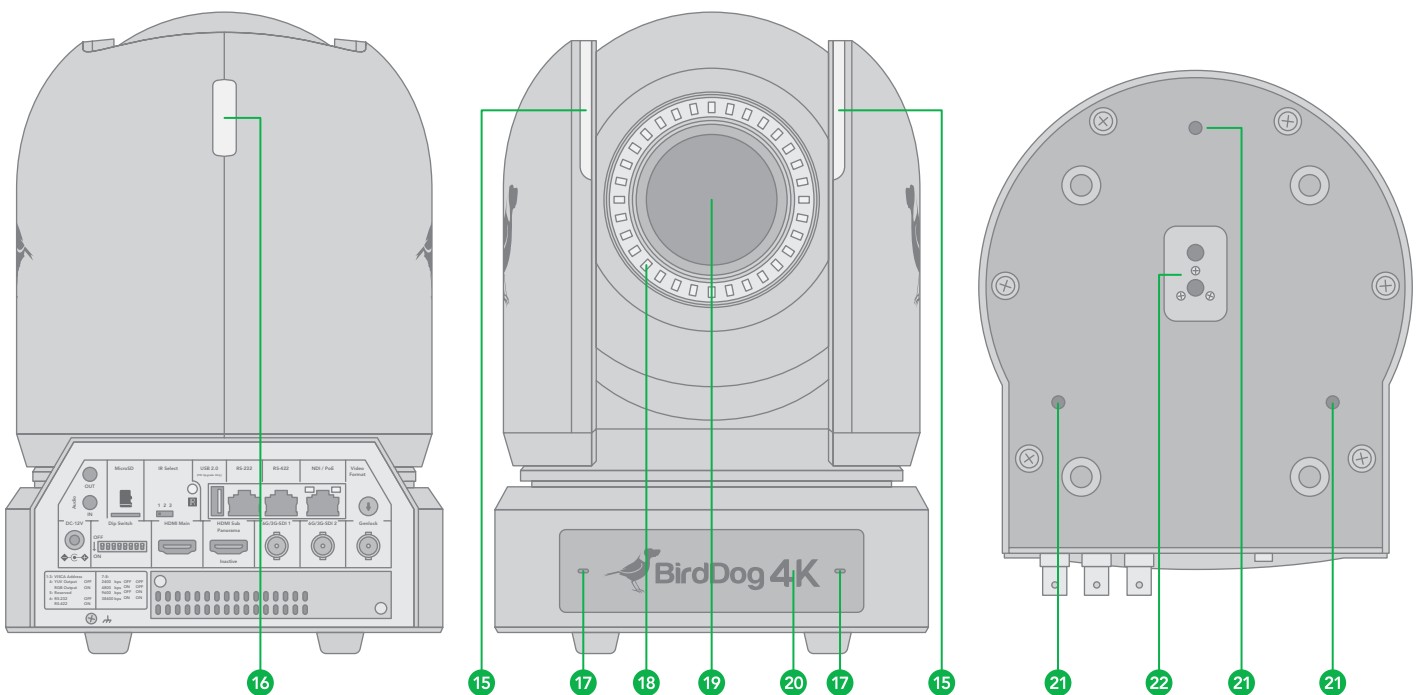
- 1 Inch "Exmor R" CMOS sensor, Effective pixel number: 14.4 Megapixels.
- Resolution: Up to 2160P29.97, 1080P60, 1080i59.94; supports 23.98 frame rate.
- NDI® Resolution: Up to 2160P30, 1080P60
- IP Resolution: Up to 2160P30, 1080P60
- Zoom: Optical 12X, Digital 12X; SRZ - Super-Resolution-Zoom expands zoom range to 18X zoom at 4K, or 24X zoom at FHD
- Black Level, Color Matrix and Image stabilizer and true WDR 130dB
- Video Output: HDMI(4K), 6G-SDIx2, Dual-Link 3G-SDIx2, NDI (4K) simultaneously
- Supports Black Level, Genlock, Tally Light.
- ±350-degree continuous pan, ±120-degree continuous tilt
- 128 presets, Speed up to 150 degrees/sec
- Wall and ceiling mounting with E-Flip function
- Control supports RS-232 control, RS-422/485 control, VIS-CA-over-IP, IP-Onvif, IP control software, IR Remote Controller.
- Image parameter setting restore with presets and quick access operation
- RTMP for online video streaming.
- Supports Audio input, Audio output with HDMI, SDI, IP streaming.
- Power: DC 12V, PoE++ (IEEE802.3bt)
- Firmware upgrade via USB2.0 or IP



Camera Diagrams



- 1. 12V DC Power Port
- 2. DIP Switch
- 3. Main HDMI1.4 (4K) Video Output
- 4. Sub HD HDMI Video Output
- 5. 6G-SDI Video Output, Dual Link 3G-SDI Video Output combine with 6#
- 6. 6G-SDI Video Output, Dual Link 3G-SDI Video Output combine with 5#
- 7. BNC Connector for Genlock
- 8. Audio Line-in / Line-out, 3.5mm Audio Input
- 9. IR Remote ID Selector
- 10. USB2.0 (Firmware upgrade only)
- 11. RJ45 port for RS232 Control Port
- 12. RJ45 port for RS-422/485 Control Port
- 13. Ethernet Port for NDI Video Output and POE power
- 14. Video Format Selector (For video format selection)
- 15. Tally Lamps (front)
- 16. Tally Lamp (rear)
- 17. Audio Mics
- 18. Led Operation Indicators
- 19. Lens - with 12X optical zoom
- 20. IR Receivers
- 21. Fixed Mounting Holes
- 22. Tripod Mounting Holes



System Configuration

Connection

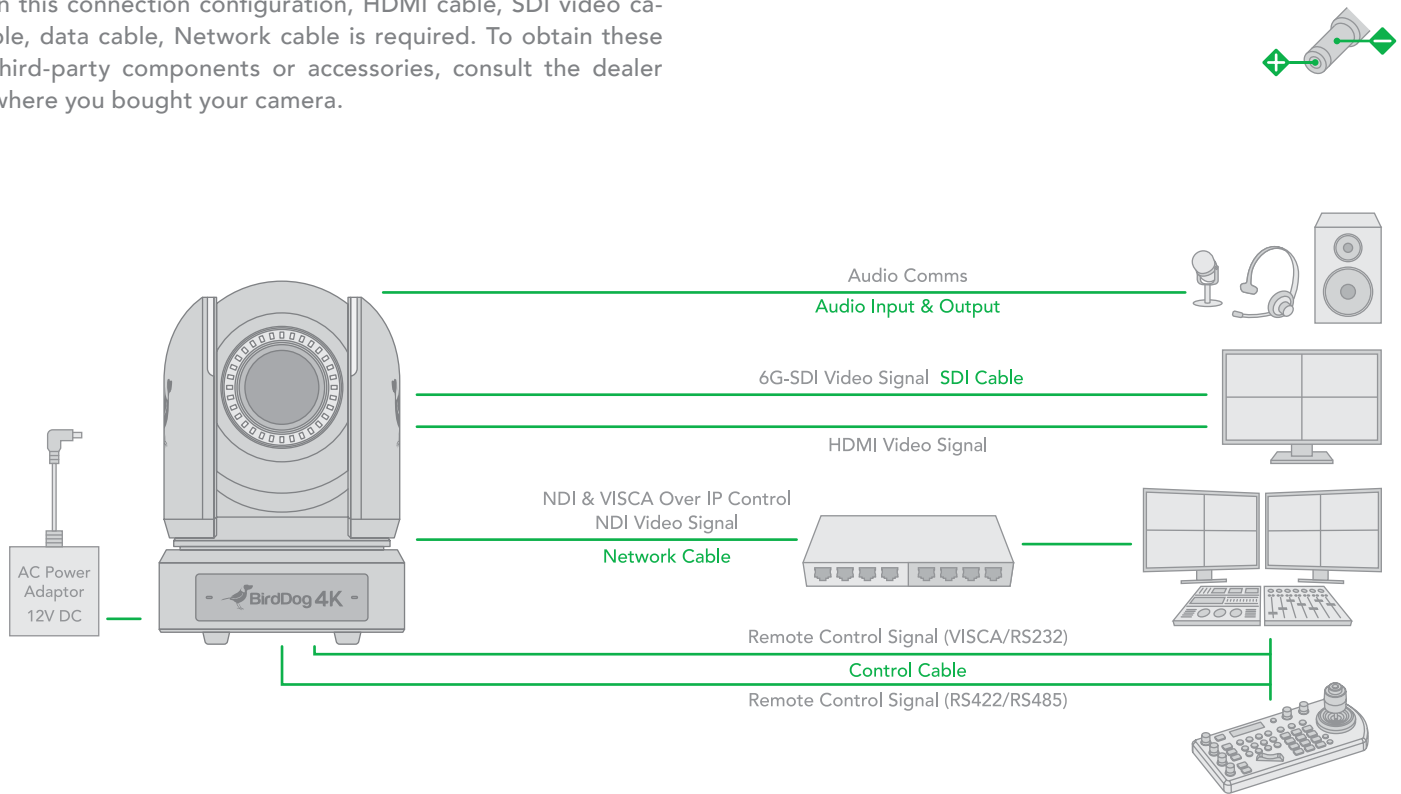
When the camera is connected to a computer and joystick keyboard with a VISCA/NDI cable, you can operate the camera with the computer and the joystick keyboard.

When the camera is connected to a joystick keyboard a control cable (cross type, RS-422/485), you can operate the camera's pan, tilt, zoom with the joystick keyboard.

In this connection configuration, HDMI cable, SDI video cable, data cable, Network cable is required. To obtain these third-party components or accessories, consult the dealer where you bought your camera.

Power

- Use only the DC power adaptor (JEITA type4) supplied with the unit. Do not use any other DC power adaptor.
- If using POE to power the camera, PoE++(IEEE802.3bt) is supported
- Ensure that the POE power source has sufficient power budget to power the camera, or some features may not function properly.



Obtain Video Signal

The camera can simultaneously have SDI video output, HDMI video output and NDI® video output.

HDMI Video signal

Connect the camera to a monitor/TV using HDMI cable.

1. Turn on the camera, video will display on the monitor after initializing.
2. Information of the camera initial setting status will display for 5 seconds.
3. You can set the video format of the camera to the one you want to display.

SDI Video Signal

The camera can simultaneously stream SDI video output with HDMI video output.

1. Connect SDI cable in between the camera your SDI Device/display.
2. If you use Dual Link 3G-SDI device, please connect two

3G-SDI cable to the camera 2x 3G-SDI connectors. And go to camera OSD menu to set the video format for Dual Link 3G-SDI use.

3. If you use single 6G-SDI device, please connect 6G-SDI cable to the camera 6G-SDI connector. The other 6G-SDI is the looping signal from the first one, they are the same 6G-SDI signal. And go to camera OSD menu to set the video format for single 6G-SDI use.
4. You now have SDI video output (supports up to 2160P).

NDI Video Signal

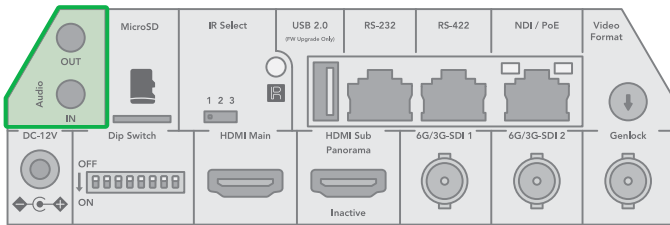
The camera can simultaneously stream NDI® video output and SDI video output and HDMI video output.

1. Connect the camera to the network using Cat5/Cat6 network cable.
2. You need a web browser for product configuration.
3. VISCA address and Baud Rate setting on the camera must be as same as the setting on camera IP WEB interface.



- To obtain NDI® video and configure NDI® video, please refer to User Manual Part 2 - NDI®.

Audio IN / OUT



- A microphone can be connected to the Audio IN port, which feeds audio into the camera.
- A speaker can be connected to the Audio OUT port, which will output any audio that is captured on the Audio In port.
- See Manual part 2 for more information about Audio capture.

Camera Initial setting status Information

Information of the camera initial setting status will display for 5 seconds.

- Camera PELCO ID for RS-485 control
- Camera VISCA ID for RS-422/RS-232 control
- Camera ID for IR Remote Controller
- IR remote control signal receive current setting
- Baud Rate current setting
- Control COMM Port current setting
- Video format current setting
- HDMI current setting
- Model number
- Firmware version

CAM STATUS INFO DISPLAY		COMM TYPE	422
PELCO ID	1	FORMAT	2160p29.97
VISCA ID	1	HDMI OUT	YUV
IR ID	1	MODEL TYPE	P4K
IR-RECEIVE	ON	MCU FW	V0K1100S[...]
BAUD RATE	9600	FPGA FW	V011

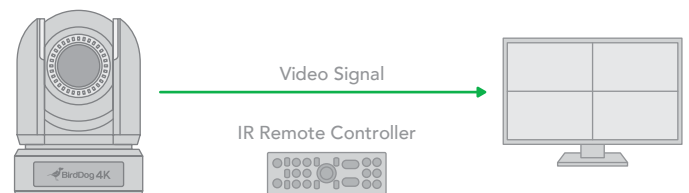
Camera Control Methods and System Configurations

This unit has multiple ways of controlling the camera and various system configuration capabilities using optional products. This section describes the ways of controlling and typical system examples with the required components and usage of each system.

- Use the Infrared Remote Controller
- Use RS-232 (VISCA)
- Use RS-422/485 (VISCA/PELCO P/D)
- NDI® Control (See NDI User Manual)
- VISCA IP

Use the Infrared Remote Controller

To operate the camera from a short distance.



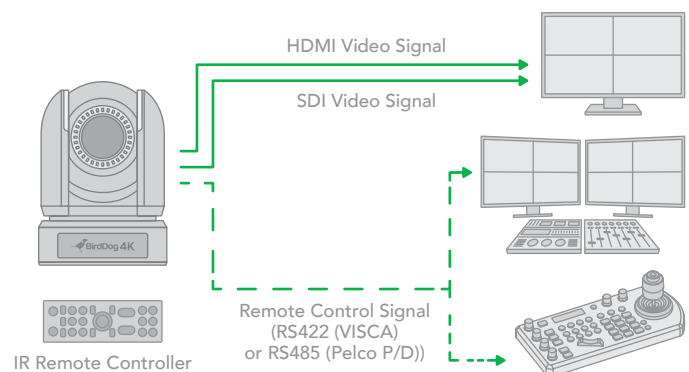
For IR remote control details, refer to Operation Using the Infrared Remote Controller.

Use RS-232 (VISCA)

You can use RS-232 port to connect to optional controllers, such as joystick control keyboard, control PC station, to operate the camera.

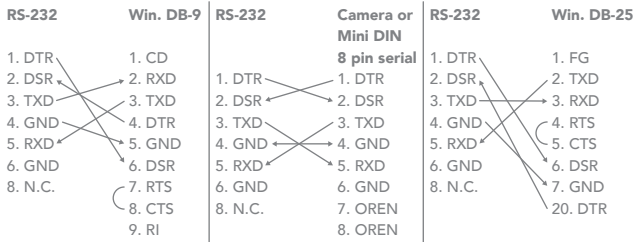
To perform pan/tilt and zoom operations using the joystick of the control keyboard, and to perform the Preset operation using the control buttons.

An application software that supports this unit is needed if you use PC station.

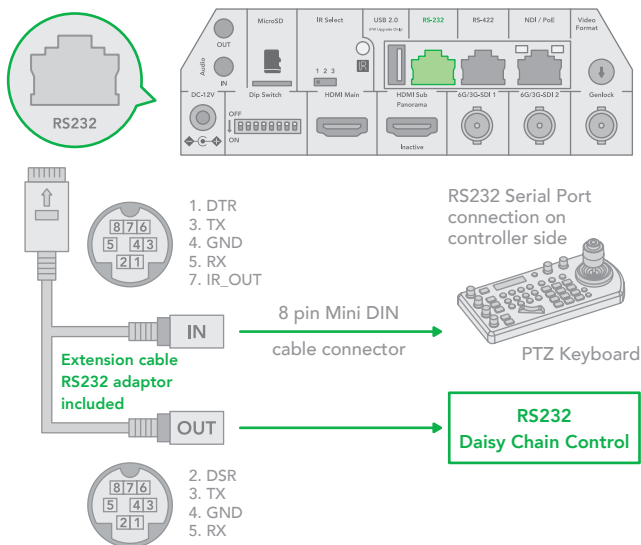


RS232 Connection

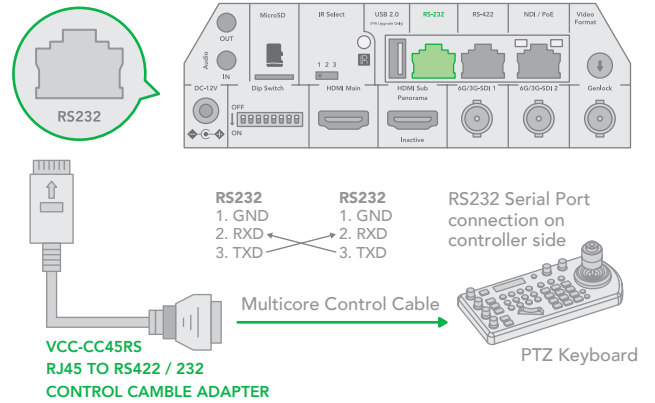
1. Set RS232 control method on Rear panel Dip Switch.
2. Set Baud Rate on Dip Switch to the same as Baud Rate setting on the keyboard you are using.
3. Set specific camera address that you want to control the camera for on Dip Switch.
4. If you want to have the camera address to be automatically assigned by VISCA controller, set camera Dip Switch address to 1. (Baud Rate is fixed to 9600 only).
5. Reboot the camera by turning it Off/On after the Dip Switch has been set up correctly.
6. Camera supports Daisy Chain connection up to 7 cameras.
7. Use the RJ45 to RS232 (VISCA) control cable. The controller must be VISCA compatible.
8. You can make RS232 connection cable if you have the following applications:



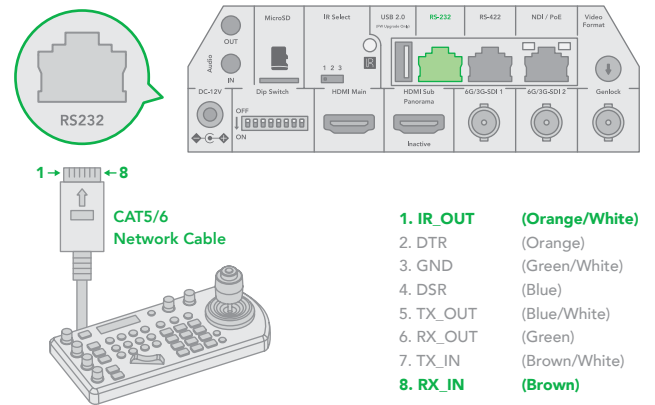
9. Use extension cables included RJ45 to RS232 8 pin Mini Din adaptor to make RS232 connection for your control device.



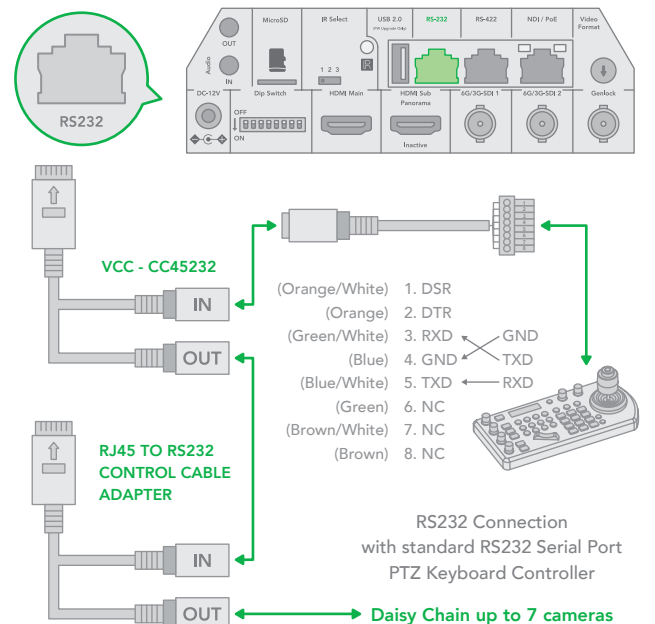
10. Use extension cables included RJ45 to RS422/232 Phoenix terminal contact adaptor to make RS232 connection for your control device.



11. Or you can use CAT5/6 network cable (T-568B standard pinout) to make RS232 connection by following the pin definition below:



12. How to make RS232 Daisy Chain multiple camera connection with standard RS232 serial port controller as below:

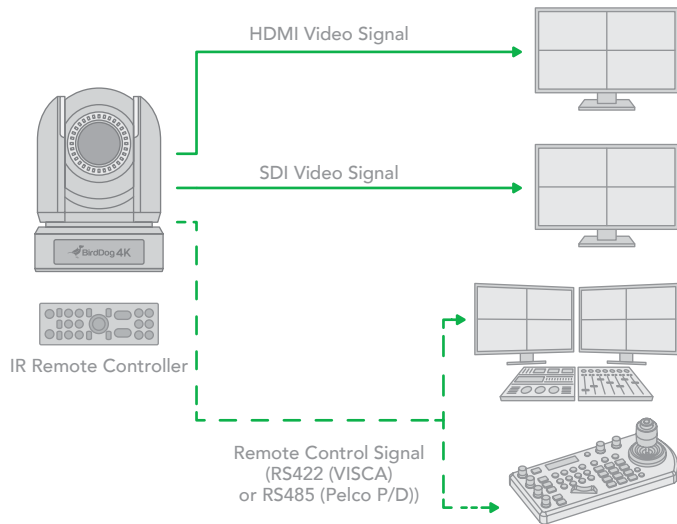


Use RS422(VISCA) / RS485 (PELCO P/D)

You can use RS422/485 port connect to optional controllers, such as joystick control keyboard, control PC station, to operate the camera.

To perform pan/tilt and zoom operations using the joystick of the control keyboard, and to perform the Preset operation using the control buttons.

An application software that supports this unit is needed if you use PC station.

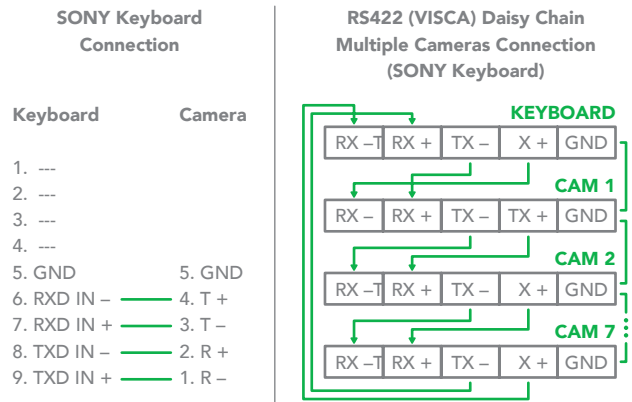


RS422 (VISCA) connection

1. Set RS422 control method on Dip Switch.
2. Set Baud Rate on Dip Switch to the same as Baud Rate setting on the keyboard you are using.
3. Set specific camera address that you want to control the camera for on Dip Switch.
4. If you want to have the camera address to be automatically assigned by VISCA controller, set camera Dip Switch address to 1. (Baud Rate is fixed to 9600 only).
5. Reboot the camera by turning it Off/On after the Dip Switch has been set up correctly.
6. Use the RJ45 to RS422 control cable. The controller must be VISCA compatible.
7. Camera supports Daisy Chain connection up to 7 cameras.
8. The connection of SONY keyboard is different than other VISCA (Non-Sony) keyboard.

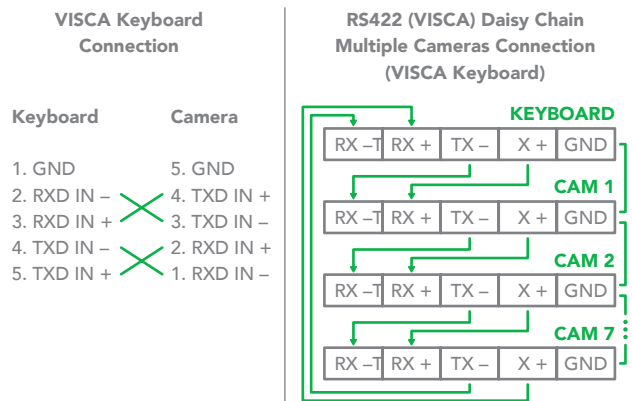
9. How to make RS422 connection and RS422 Daisy Chain multiple cameras connection with SONY controller as below:

SONY Keyboard RS422 Connection

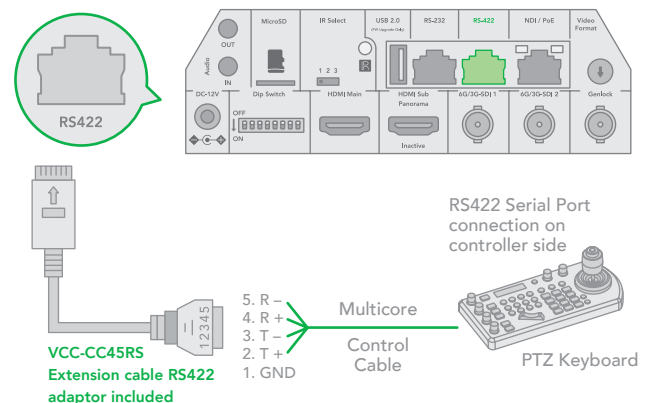


10. How to make RS422 connection and RS422 Daisy Chain multiple cameras connection with Non-Sony controller as below:

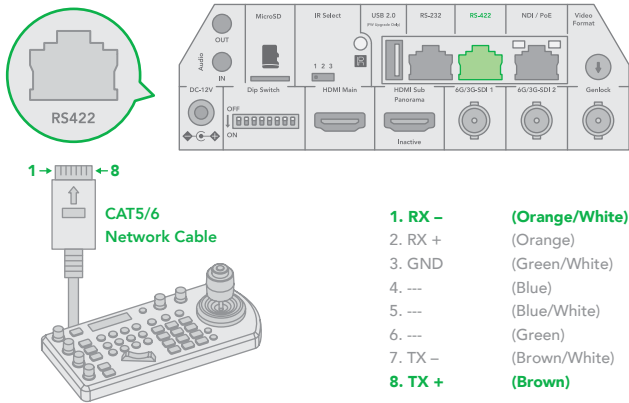
VISCA (Non-Sony) Keyboard RS422 Connection



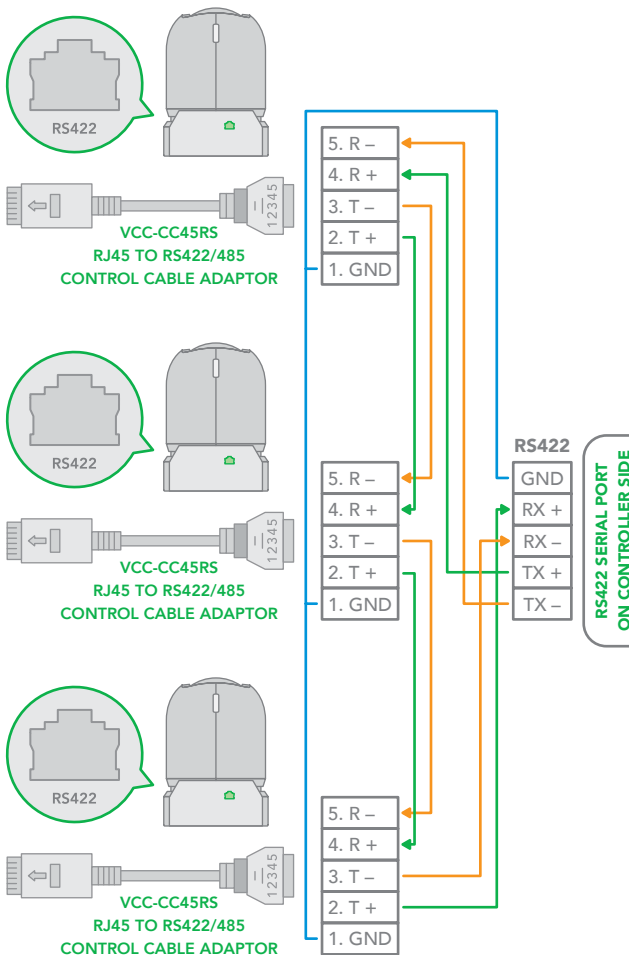
11. Use extension cables RJ45 to RS422 Phoenix connector adaptor included to make RS422 connection for your control device.



12. Or you can use CAT5/6 T-568B Standard Ethernet cable direct connect between the camera and the controller to make RS422 connection by following the pin definition below:



13. How to make RS422 Daisy Chain multiple camera connection with RS422 standard serial port controller:

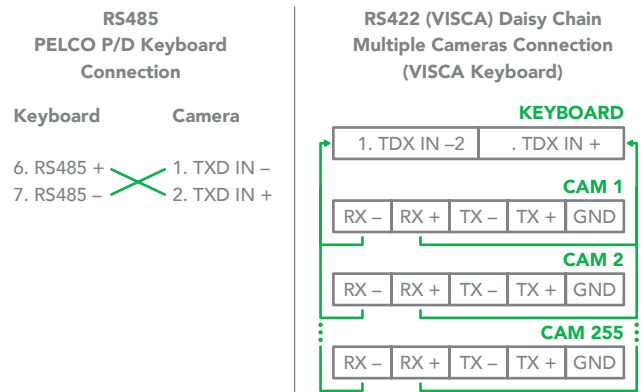


PELCO P/D Keyboard RS485 Connection

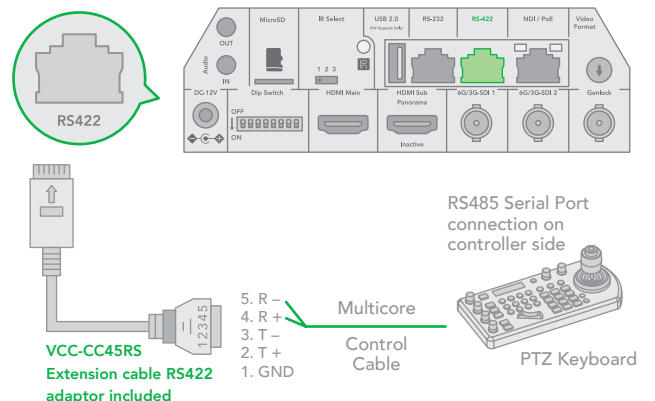
NOTE: Use RS422 ports for RS485 connection. Only use TX+ and TX- for RS485 connection.

- Set RS422 control method on Bottom Dip Switch.
- Set Baud Rate on Bottom Dip Switch to the same as Baud Rate setting on the keyboard you are using.
- Set the camera ID on OSD menu by remote controller
- Reboot the camera by turning it Off/On after the Bottom Dip Switch has been set up correctly.
- Use PELCO P/D compatible keyboard.
- Use preset 95# on the keyboard to bring up/exit camera OSD menu.
- Use joystick and Button "OPEN" or "CLOSE" to navigate OSD menu.
- To operate keyboard, please refer to the user manual of the keyboard you are using.

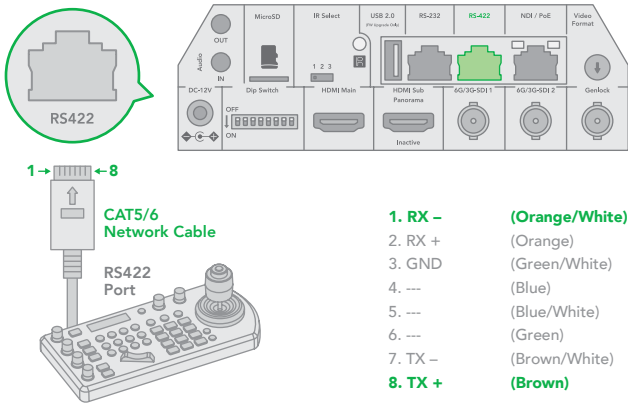
PELCO RS485 Connection



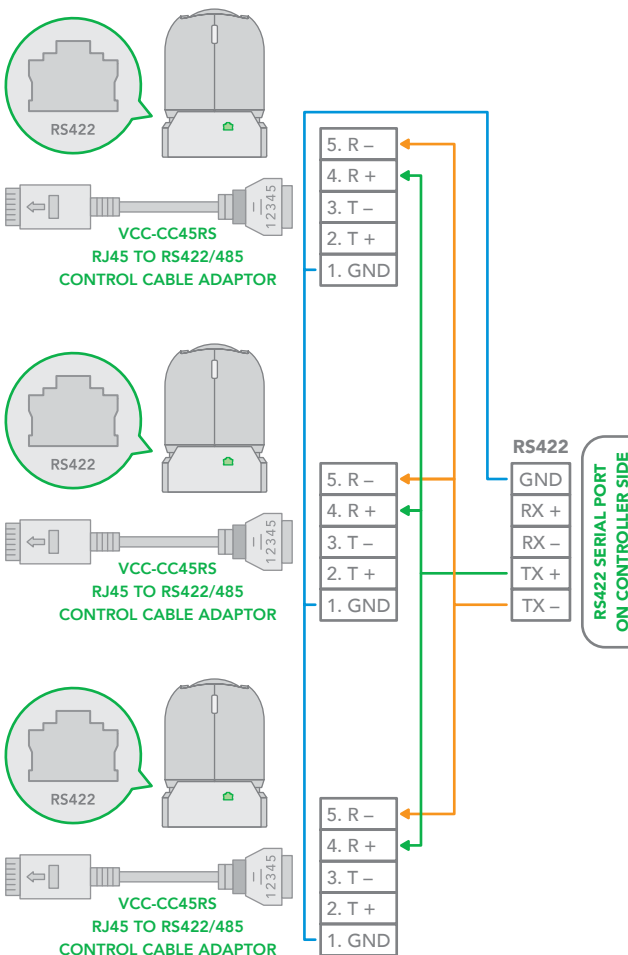
- Use extension cables included RJ45 to RS422 Phoenix connector adaptor to make RS485 connection for your control device.



- Or you can use CAT5/6 T-568B Standard Ethernet cable direct connect between the camera and the controller to make RS485 connection by following the pin definition below:



- How to make RS485 multiple cameras connection with RS485 standard serial port controller:



NOTE: For RS-232 VISCA control, this unit supports daisy chain connection for using multiple cameras.

For control details, refer to Operating Instructions of control keyboard/station software.

- You need to match the communication speed (Baud Rate)

between the camera and the joystick controller.

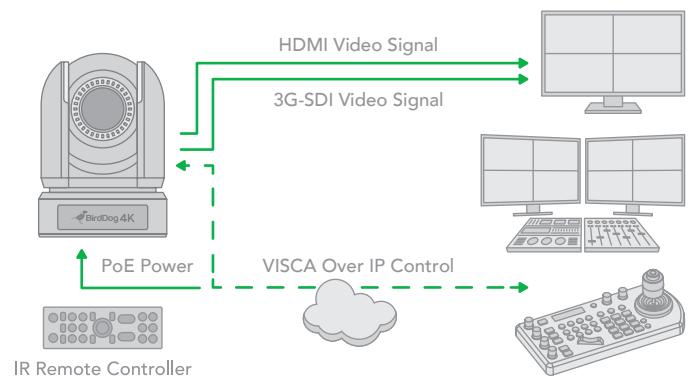
- You cannot use the RS-232 connections while you are using the RS422/485 connection.

Operating Multiple Cameras Using RS-232,422/485

- Using RS-232 (VISCA), you can connect to 7 cameras.
- Using RS-422 (VISCA), you can connect to 7 cameras.
- Using RS-485 (PELCO), you can connect to 255 cameras.
- Using RS-485 (PELCO), all camera addresses must be set up before the connection. You can set the camera address by operating OSD menu, or by setting the Dip Switch on the bottom of the camera. In this case, you can use multiple control keyboards.

VISCA over IP Control

With VISCA over IP function, you can control the camera using VISCA protocol on a controller equipped with IP communication capabilities via LAN.



The communication specifications of VISCA over IP are followings:

- Interface: RJ-45 10/100/1000M
- Interface protocol: IPv4
- Transport protocol: UDP
- IP address: 192.168.100.100 By default
- Port: 52381



Controlling via VISCA over IP

- Connect the network port on the camera to the network switch.
- Set the IP address and other network information appropriately to communicate on your network
- Connect the VISCA over IP-compatible controller to the network
- Configure the controller to access the camera's IP address and VISCA over IP port
- **The IP port within on your control must be set to 52381 to communicate with the camera.**
- Select VISCA protocol on your IP control device.

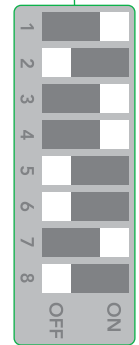
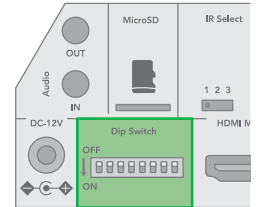
VISCA Address	1	2	3
1	ON	OFF	OFF
2	OFF	ON	OFF
3	ON	ON	OFF
4	OFF	OFF	ON
5	ON	OFF	ON
6	OFF	ON	ON
7	ON	ON	ON

Colour Space Setting	4
YUV Output	OFF
RGB Output	ON

MODE	5
Operation	OFF
Firmware Upgrade	ON

Control Mode	6
RS-232	OFF
RS-422	ON

Baud Rate Setting	7	8
2400 bps	OFF	OFF
4800 bps	ON	OFF
9600 bps	OFF	ON
38400 bps	ON	ON



DIP SWITCH SETTINGS

The Dip switches are for setting the camera configuration for following items:

1. Camera ID Address for VISCA protocol
2. Video color space
3. RS-232 / RS-422 control method selection
4. RS-232 / RS-422 baud rate selection

Setting of the DIP Switches

Turn off power to the camera before changing the DIP switch settings. Power on the camera to have the new Dip Switch setting activated.

From the above list, No.1 Camera ID address, NO.2 Video color space, NO.5 Baud rate setting can be set in camera OSD menu as well. The camera takes either the way of OSD menu setting or the way of DIP switch setting. They override each other. After the camera is turned on, the camera takes the last setting before it is turned on, either set through the OSD or Rear DIP switch.

The DIP Switch Settings

Bit 1~3: Camera Address setting for VISCA protocol

Bit 4: Video Color Space

Bit 5: Reserve

Bit 6: RS-232/RS-422

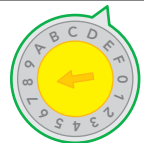
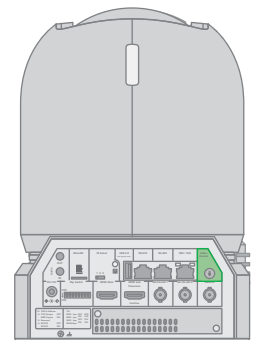
Bit 7~8: RS-232/RS-422 Baud Rate

Setting of the back panel Rotate DIP Switches

The Rotate Dip Switch is for setting video format.

Use small screw driver to turn the switch, the arrow points to the Numbers or the Letters. The video format that the Number or Letter stands for refer to the video format as the chart following:

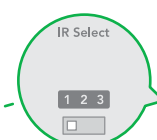
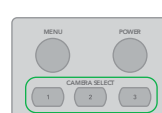
Numbers & Letters	Video Resolution
0	1080i 59.94
1	1080p 29.97
2	720p 59.94
3	1080p 59.94
4	2160p 29.97
5	1080i 60
6	1080p 23.98
7	1080p 30
8	1080p 60
9	1080i 50
A	1080p 25
B	720p 50
C	1080p 50
D	2160p 25
E	720p 60
F	2160p 23.98



IR Remote Controller ID Setting

Set the IR SELECT switch on the back panel of the camera to 1, 2 or 3, which is the camera ID number that you want to operate on the Remote Controller.

IR Remote Controller



Adjusting and Setting with Menus

About On-Screen Menus

You can change various settings, such as shooting conditions and system setup of the camera, while observing menus displayed on a connected computer screen.

This section explains how to read the on-screen menus before starting menu operations.

The menu parameters may vary according to the different product model numbers.

For a complete configurations menu, see "Menu Configuration" (page 25).

NOTE: You cannot perform pan/tilt operations while the menu is displayed.

Main Menu

To display the main menu, press the DATA SCREEN button on the supplied infrared remote controller.

1. Selected Items
Selects a setting menu.
The selected item is shown by the cursor. The cursor moves up or down by pressing the "↑, ↓" button on the infrared remote controller.
2. Menu Items
To display a setting menu, select one using the "↑, ↓" button on the infrared remote controller and press the HOME button on the infrared remote controller.

Setting Menus

The setting menu selected on the main menu is displayed.

1. Setting Menu
The name of the setting menu currently selected is displayed here.
2. Selected Item
Selects a setting item.
The selected item is shown by the cursor.
Move the cursor up or down by pressing the "↑, ↓" button on the infrared remote controller.
3. Setting Items
The setting items for this setting menu are displayed.
Select the setting item using the "↑, ↓" button on the infrared remote controller.
4. Set Value
The currently set values are displayed.
To change a set value, use the "←, →" button on the infrared remote controller.

NOTE: In some product models, only use "←" button on the infrared remote controller to change the value. To confirm the value, you can use either "→" button or HOME button.

Control Button

You can select the item by pressing "↑, ↓, ←, →" and HOME button.

1. You can select a menu item by "↑, ↓" button on the infrared remote controller. The selected item is shown by the arrow cursor. You can change the value of the item by pressing "←, →" button.
2. You can move to the next layer by pressing the HOME button.
3. You can return to the normal display by pressing the MEN button.

NOTE: When you are operating the menu using the infrared remote controller, you cannot set IR- RECEIVE in the SYSTEM menu to OFF. To set IR- RECEIVE to OFF, use the appropriate VISCA command.

EXPOSURE Menu

The EXPOSURE menu is used to set the items related to exposure.

MODE (Exposure Mode)

FULL AUTO: Iris, Gain and Shutter Speed can be set automatically. The exposure is adjusted automatically using the values set for SLOW SHUTTER, S. SHUTTER LIMIT, AE SPEED, GAIN LIMIT, GAIN POINT, HIGH SENSITIVITY, MAX SPEED, MIN SPEED, BACK LIGHT, SPOT LIGHT and EX-COMP.

OSD	EXPOSURE MENU: FULL AUTO	
▶ EXPOSURE	MODE	FULL AUTO
WHITE BALANCE	SLOW SHUTTER	OFF
DETAIL	S. SHUTTER LIMIT	1/12
PICTURE	AE SPEED	01
GAMMA	GAIN LIMIT	30dB
NETWORK	GAIN POINT	OFF
PAN TILT ZOOM	POINT POSITION	0dB
SYSTEM	HIGH SENSITIVITY	OFF
	MAX SPEED	1/1750
	MIN SPEED	1/50
	BACK LIGHT	OFF
	SPOT LIGHT	OFF
	EX-COMP.	OFF

MANUAL: Adjust the GAIN, GAIN LIMIT, electronic shutter speed (SPEED), iris (IRIS), and HIGH SENSITIVITY manually.

OSD	EXPOSURE MENU: MANUAL	
▶ EXPOSURE	MODE	MANUAL
WHITE BALANCE	GAIN	12dB
DETAIL	SPEED	1/60
PICTURE	IRIS	F2.8
GAMMA	HIGH SENSITIVITY	OFF
NETWORK		
PAN TILT ZOOM		
SYSTEM		

IRIS PRI: Iris Priority mode. The iris can be set freely by the user. The gain and shutter speed are set automatically according to the brightness of the subject. The exposure is adjusted automatically using the values manually set for iris (IRIS), GAIN LIMIT, GAIN POINT, AE SPEED, MAX SPEED, MIN SPEED, BACK LIGHT, SPOT LIGHT and EX-COMP.

OSD	EXPOSURE MENU: IRIS PRI	
▶ EXPOSURE	MODE	IRIS PRI
WHITE BALANCE	IRIS	F2.8
DETAIL	GAIN LIMIT	30dB
PICTURE	GAIN POINT	OFF
GAMMA	POINT POSITION	0dB
NETWORK	AE SPEED	01
PAN TILT ZOOM	MAX SPEED	1/1750
SYSTEM	MIN SPEED	1/50
	BACK LIGHT	OFF
	SPOT LIGHT	OFF
	EX-COMP.	OFF

SHUTTER PRI: Shutter Priority mode. The shutter speed can be set freely by the user, the iris and gain are set automatically, according to the brightness of the subject. The exposure is adjusted automatically using the values manually set for electronic shutter speed (SPEED), GAIN LIMIT, AE SPEED, BACK LIGHT, SPOT LIGHT and EX-COMP.

OSD	EXPOSURE MENU: SHUTTER PRI	
▶ EXPOSURE	MODE	SHUTTER PRI
WHITE BALANCE	SPEED	1/50
DETAIL	GAIN LIMIT	30dB
PICTURE	AE SPEED	01
GAMMA	BACK LIGHT	OFF
NETWORK	SPOT LIGHT	OFF
PAN TILT ZOOM	EX COMP	OFF
SYSTEM		

BRIGHT: Bright mode. The bright control function adjusts both gain and iris using an internal algorithm, according to a brightness level freely set by the user. Exposure is controlled by gain when dark, and by iris when bright. As both gain and iris are fixed, this mode is used when exposing at a fixed

camera sensitivity. When switching from Full Auto or Shutter Priority Mode to Bright Mode, the current status will be retained for a short period of time.

The exposure is adjusted automatically using the values manually set for the bright level (LEVEL) and HIGH SENSITIVITY.

OSD	EXPOSURE MENU: BRIGHT	
▶ EXPOSURE	MODE	BRIGHT
WHITE BALANCE	LEVEL	24
DETAIL	HIGH SENSITIVITY	OFF
PICTURE		
GAMMA		
NETWORK		
PAN TILT ZOOM		
SYSTEM		

GAIN PRI: Gain Priority mode. Adjust with Variable Gain, Auto Iris and Shutter speed. Adjust the GAIN, GAIN POINT, AE SPEED, HIGH SENSITIVITY, MAX SPEED, MIN SPEED, BACK LIGHT, SPOT LIGHT and EX-COMP.

OSD	EXPOSURE MENU: GAIN PRI	
▶ EXPOSURE	MODE	GAIN PRI
WHITE BALANCE	GAIN	9dB
DETAIL	GAIN POINT	OFF
PICTURE	POINT POSITION	30dB
GAMMA	AE SPEED	01
NETWORK	HIGH SENSITIVITY	OFF
PAN TILT ZOOM	MAX SPEED	1/1750
SYSTEM	MIN SPEED	1/50
	BACK LIGHT	OFF
	SPOT LIGHT	OFF
	EX COMP	OFF

When you select one from various exposure modes, some of the following setting items that are required for the selected mode will appear.

GAIN: Select the gain from the following: 0dB, 3dB, 6dB, 9dB, 12dB, 15dB, 18dB, 21dB, 24dB, 27dB, 30dB, 33dB, 36dB

GAIN LIMIT: The gain limit can be set at Full Auto, Iris Priority, Shutter Priority mode. Use this setting when you want to obtain image in which signal-to-noise ratio is particularly important. Select the gain limit from the following: 9dB, 12dB, 15dB, 18dB, 21dB, 24dB, 27dB, 30dB, 33dB, 36dB

GAIN POINT: Set the Gain Point in the middle between 0dB and gain limit. The shutter speed can be changed from the point when the set gain value is reached. When you want to obtain the motion-priority image, use this setting.

HIGH SENSITIVITY: In this mode, the maximum gain increases, enabling to obtain a brighter output even in a darker environment. However, if the gain reaches high level, the image will have a large amount of noise.



IRIS: Select the iris from the following: F11, F10, F9.6, F8.7, F8.0, F7.3, F6.8, F6.2, F5.6, F5.2, F4.8, F4.4, F4.0, F3.7, F3.4, F3.1, F2.8

SLOW SHUTTER: When set to "On," the slow shutter functions automatically when the light darkens. This setting is available only when the Exposure mode is set to "Full Auto." The initial setting is "Slow Shutter Off."

S. SHUTTER LIMIT: When the subject becomes dark, the shutter speed becomes slow and the gain is increased. This is a function to put a limit on the shutter speed. It prevents the camera shake when you shoot a moving subject in a dark place. Select the S. Shutter limit from the following: 1/30, 1/20, 1/15, 1/10, 1/8, 1/6, 1/4, 1/3, 1/2, 2/3, 1/1.

AE SPEED: The AE Speed function allows you to reduce the exposure response speed. Usually the camera is set up so that the optimum exposure can be obtained automatically within about 1 second. However, using the slow AE Speed function allows you to lengthen the auto exposure response speed from the initial setup speed.

Maximum SPEED (Maximum Shutter Limit): The brighter the object is, the shutter speed will increase. This is the function to set the upper limitation on the shutter speed. This will help to make images smooth with less inconsistent motions when you shoot bright objects.

Minimum SPEED (Minimum Shutter Limit): When the subject becomes dark, the shutter speed becomes slow and the gain is increased. This is a function to put a limit on the shutter speed. It prevents the camera shake when you shoot a moving subject in a dark place.

BACKLIGHT: When the background of the subject is too bright, or when the subject is too dark due to shooting in the AE mode, back light compensation will make the subject appear clearer.

SPOT LIGHT: This menu allows you to enable/disable spot-light compensation by adjusting the exposure darker when a part of the object is bright, such as a person's face in spot-light. You can choose either ON or OFF. This setting is enabled when MODE is FULL AUTO, SHUTTER PRI, IRIS PRI, or GAIN PRI. SPOT LIGHT becomes disabled when BACK LIGHT is ON.

EX-COMP: (Exposure Compensation) When MODE is set to one of FULL AUTO, IRIS PRI, SHUTTER PRI or GAIN PRI, set this item to ON to 40 enable exposure compensation. When you set EX-COMP to ON, LEVEL appear and you can select the exposure compensation level from the following: -10.5, -9, -7.5, -6, -4.5, -3, -1.5, 0, +1.5, +3, +4.5, +6, +7.5, +9, +10.5

If you set the level to 0, exposure compensation will be disabled. Level +10.5 is the brightest and -10.5 is the darkest compensation value.

When EX-COMP is set to OFF, exposure compensation does not function.

MODE (white balance mode)

Select the white balance mode from the following:

AUTO: This mode computes the white balance value output using color information from the entire screen. It outputs the proper value using the color temperature radiating from a black subject based on a range of values from 2500K to 7500K. This mode is the initial setting.

OSD	WHITE BALANCE MENU	
EXPOSURE	WB MODE	AUTO
▶ WHITE BALANCE	SPEED	3
DETAIL	OFFSET	0
PICTURE	MATRIX	ON
GAMMA	SELECT	STD
NETWORK	LEVEL	4
PAN TILT ZOOM	PHASE	0
SYSTEM	R-G	00
	R-B	00
	G-R	00
	G-B	00
	B-R	00
	B-G	00

SPEED (white balance speed): You can adjust the speed at which the camera reaches the white convergence point when AUTO1 or AUTO2 is chosen. Choose a value from 1, 2, 3, 4, and 5. 5 is the fastest and 1 is the slowest.

OFFSET: The white convergence point can be shifted when WHITE BALANCE mode is AUTO1, AUTO2, or ONE PUSH. The range is from -7 to 0 to +7. White balance is shifted toward blue when a negative value is chosen, and it is shifted toward red when a positive value is chosen.

INDOOR: 3200K Base Mode.

OUTDOOR: 5800K Base Mode.

MATRIX (Color Matrix): You can emphasize or weaken a specific color region while keeping the white convergence point unchanged. When you turn this ON, the following items are displayed for adjustment.

SELECT: You can choose an internal preset matrix for matrix calculation. You can choose from STD, HIGH SAT, FL LIGHT, MOVIE, STILL, CINEMA, PRO, ITU709, and B/W. This becomes disabled when MATRIX is turned OFF.

LEVEL (color level): You can adjust the color density of the picture. Choose a value in the range from 0 to 14. The greater the number, the denser the colors, and vice versa. This becomes disabled when MATRIX is turned OFF.

PHASE: You can adjust the color tone of the entire picture. Choose a value from -7 to 0 to +7. This becomes disabled when MATRIX is turned OFF.



R-G, R-B, G-R, G-B, B-R, B-G: You can set a coefficient for each combination of RGB individually, to adjust the hue of the entire picture. Choose a value from -99 to 0 to +99. This becomes disabled when MATRIX is turned OFF.

OPW (One Push White Balance): The One Push White Balance mode is a fixed white balance mode that may be automatically readjusted only at the request of the user (One Push Trigger), assuming that a white subject, in correct lighting conditions, and occupying more than 1/2 of the image, is submitted to the camera. One Push White Balance data is lost when the power is turned off. If the power is turned off, reset One Push White Balance.

NOTE: When you select the OPW, perform the following operations:

1. Place an image of white subject (For example: A piece of white paper) in the center of the screen.
2. Press the HOME button of the infrared remote control. The one-push white balance adjustment is activated.

ATW (Auto Tracking White Balance): Auto Tracking White balance (2000K to 10000K), allows the camera to adjust the tone according to the temperature of the light source illuminating the subject

USER: This is a mode that enables you to manually set the control of R and B gain up to 256 steps.

NOTE: When you select USER, R. GAIN (red gain) and B. GAIN (blue gain) appear. You can select each item in the range from 0 to 255.

OSD	WHITE BALANCE MENU	
EXPOSURE	WB MODE	USER
▶ WHITE BALANCE	R GAIN	106
DETAIL	B GAIN	217
PICTURE		
GAMMA		
NETWORK		
PAN TILT ZOOM		
SYSTEM		

OUTDOOR AUTO: This is an auto white balance mode specifically for outdoors. It allows you to capture images with natural white balance in the morning and evening.

SVL AUTO: Sodium Vapor Lamp Auto: This is an auto white balance mode that is compatible with sodium vapor lamps.

SVL: Sodium Vapor Lamp: This is a fixed white balance mode specifically for sodium vapor lamps.

SVLO AUTO: Sodium Vapor Lamp Outdoor Auto: This is an auto white balance mode specifically for outdoors, which is compatible with sodium vapor lamps.

DETAIL Menu

MODE: When you choose AUTO, contour correction signal is automatically added. When you want to make adjustment by yourself, choose MANUAL. Only LEVEL will be displayed when you choose AUTO.

OSD	DETAIL MENU	
EXPOSURE	DETAIL MODE	MANUAL
WHITE BALANCE	BANDWIDTH	DEFAULT
▶ DETAIL	CRISPENING	0
PICTURE	H/V BALANCE	-2
GAMMA	B/W BALANCE	TYPE 1
NETWORK	LIMIT	3
PAN TILT ZOOM	HIGHLIGHT DETAIL	0
SYSTEM	SUPER LOW	0

LEVEL: You can set the volume of the contour correction signal. Choose a value from 0 to 15. The greater the value, the stronger the contour correction signal.

BANDWIDTH: You can set the bandwidth for signals undergoing contour emphasis. You can choose from DEFAULT, LOW, MIDDLE, HIGH, and WIDE. For example, when you choose MIDDLE, the middle range of the signals is elevated, and contours in that middle range are emphasized.

CRISPENING: You can choose the fineness of the objects subject to contour correction with contour correction signals. Choose a value from 0 to 7. When you choose a higher value, minute contour correction signal elements are removed, and only the high level contour correction signals are left, which reduces noise. When you choose a lower value, minute contour correction signal elements are added to the picture, increasing noise.

H/V BALANCE: You can choose the ratio for horizontal and vertical contour correction signal elements. Choose a value from -2 to 0 to +2. When you choose a higher value, the horizontal contour correction elements become greater compared to the vertical elements.

B/W BALANCE: You can adjust the balance between contours in black on the low brightness side of the spectrum and contours in white on the high brightness side. Choose from TYPE1 to TYPE5. The ratio of contours in black is higher for TYPE1 while the ratio of contours in white is higher for TYPE5.

LIMIT: You can set the maximum value for the amount of contour emphasis in black on the low brightness side of the spectrum and in white on the high brightness side. Choose a value from 0 to 7.

HIGHLIGHT DETAIL: You can adjust the level of contour added to brightly-lit objects. Choose a value from 0 to 4. Adjust this when you want to emphasize the contour of a brightly-lit object in a bright background.

SUPER LOW: Emphasizes contours in the super low range. Choose a value from 0 to 7. The greater the value,



the greater the contour emphasis. Contrast and resolution increase.

PICTURE Menu

OSD	PICTURE MENU	
EXPOSURE	2D NR	2
WHITE BALANCE	3D NR	2
DETAIL	FLIP	OFF
▶ PICTURE	MIRROR	OFF
GAMMA	COLOR	5
NETWORK	HUE	8
PAN TILT ZOOM	ND FILTER	OFF
SYSTEM	IR CUT FILER	DAY
	CHROMA SUPPRESS	OFF
	HLC MODE	OFF
	STABILIZER	OFF

Noise Reduction (NR): The NR function removes noise (both random and non-random) to provide clearer images. This function has six steps: levels 1 to 5, plus off. The NR effect is applied in levels based on the gain, and this setting value determines the limit of the effect. In bright conditions, changing the NR level will not have an effect. When it is set to level 7Fh, you can set NR of 2D/3D individually.

2D NR: 2D Noise Reduction is a method of reducing noise within an image by comparing frame-to-frame, removing the variations that do not appear in each frame.

3D NR: 3D Noise Reduction is a method of reducing noise by comparing variances within the same frame, as well as comparing frame-to-frame. This will reduce noise without leaving trails behind a moving object.

FLIP: Image E-Flipper – Used when ceiling mounting or up-right mounting. Set to OFF is upright mode, set to ON is for ceiling mount.

MIRROR: You can have the image as seen in a mirror, with the right side as though it were the left.

COLOR: You can configure the color gain from 1-15. Use this setting when bright color is particularly important.

HUE: You can adjust color phase from 1-15.

ND FILTER: The ND Filter installed in front of the CMOS image sensor can be engaged or disengaged by the mechanical structure. The adjustable range of Iris and shutter speed are increased by using the ND Filter. There are 2 types of ND Filters, and by combining them, the light quantity can be used at 1x (Filter Off), 1/4x, 1/16x, or 1/64x.

IR CUT FILTER: An infrared (IR) Cut-Filter can be disengaged from the image path for increased sensitivity in low light environments. The ICR will automatically engage depending on the ambient light, allowing the camera to be effective in day/night environments. When the auto ICR mode is set to

NIGHT, the image becomes black and white.

CHROMA SUPPRESS (Low-Illumination Chroma Suppress Mode): You can configure a Chroma suppress mode for low illumination conditions. This can be useful when color noise is particularly noticeable in such conditions. Four levels (disabled and three levels) are available for the low-illumination Chroma suppress mode. You can set the brightness from OFF, LOW, MID, HIGH

HLC MODE: HLC (Highlight Light Compensation) is a function to adjust AE and AF, and to perform the masking of light area as required when a high intensity spot light is detected.

STABILIZER: When the image stabilizer function is set to ON, you can obtain the image with less screen blur caused by shaking. The correction effect can be achieved at the vibration frequency around 10 Hz. The image stabilizer function uses the digital zoom method. Although there are changes in the angle of view and resolution, the sensitivity is maintained.

Note: The image stabilizer function may not work under the environment of high frequency vibration components. When using the camera under such environment, set the image stabilizer function to Off.

GAMMA Menu

You can choose the type of basic curve for GAMMA correction.

OSD	GAMMA MENU	
EXPOSURE	GAMMA	STANDARD
WHITE BALANCE	PATTERN	51
DETAIL	PATTERN FINE	2
PICTURE	OFFSET	0
▶ GAMMA	LEVEL	0
NETWORK	BLACK GAMMA	0
PAN TILT ZOOM	BLACK GAMA RANG	LOW
SYSTEM	BLACK LEVEL	0
	VISIBLTY ENHANCER	OFF

STANDARD: Standard setting (same as the MOVIE setting on the camera).

STRAIGHT: This selects a straight GAMMA curve.

PATTERN: You can choose a gamma curve from 512 patterns stored in the camera. You can specify the pattern out of 512 patterns using PATTERN and PATTERN FINE. PATTERN defines the upper two digits of the pattern, and PATTERN FINE defines the last digit.

PATTERN: Choose a value from 0 to 51. This can be chosen When SELECT is PATTERN.

PATTERN FINE: Choose a value from 0 to 9. When PATTERN is 0, 0 cannot be chosen for PATTERN FINE. When PATTERN is 51, a value larger than 2 cannot be chosen for PATTERN



FINE. This can be chosen when SELECT is PATTERN.

OFFSET: You can choose the offset of the output level of gamma curves. Choose a value from -64 to 0 to +64.

LEVEL: Gamma level, you can choose a level value from -7 to 0 to +7.

BLACK GAMMA: You can adjust the black gamma level to recreate gradation in the dark areas of the picture or to suppress noise with black-out. Choose a value from -7 to 0 to +7.

BLACK GAMMA RANGE: You can adjust the brightness range for which BLACK GAMMA becomes effective. Choose from LOW, MIDDLE, and HIGH. The range becomes small when LOW is chosen, and it becomes large when HIGH is chosen.

BLACK LEVEL: You can adjust the master BLACK LEVEL. Choose a value from -48 to 0 to +48.

VISIBILITY ENHANCER (VE): Depending on the imaging scene, the Visibility Enhancer function makes the darker part of a camera image brighter, and automatically correct brightness and contrast to show bright parts clearly.

NETWORK Menu

It may take a short while to display the network information after you select the NETWORK menu.

OSD	NETWORK MENU	
EXPOSURE	IPv4	192.168.002.234
WHITE BALANCE	SUBNET MASK	255.255.255.0
DETAIL	GATEWAY	192.168.002.001
PICTURE	MAC ADDRESS	00:26:G2:01:02:EE
GAMMA		
▶ NETWORK		
PAN TILT ZOOM		
SYSTEM		

The network menu is for displaying IP configuration information of the IP encoder that is built-in with the camera.

The IP configuration is currently not available to be modified via OSD menu. You need to use your PC internet browser to configure the IP network setting of the camera.

PAN TILT ZOOM Menu

The PAN TILT ZOOM menu is used to select the pan/tilt/zoom mode.

OSD	PAN TILT ZOOM MENU	
EXPOSURE	DIGITAL ZOOM	OFF
WHITE BALANCE	ZOOM RATIO OSD	OFF
DETAIL	AF SENSITIVITY	LOW
PICTURE	MF SPEED	2
GAMMA	NEAR LIMIT	30cm
NETWORK	ADAPTIVE PT	ON
▶ PAN TILT ZOOM	P/T SPEED	3
SYSTEM	PRESET SPEED	5
	PAN DIRECTION	NORMAL
	TILT DIRECTION	NORMAL

DIGITAL ZOOM: Set to DIGITAL ZOOM ON, 12X digital zoom (with SRZ feature, 18X zoom at 4K, or 24X zoom at FHD) is activated.

You can set digital zoom to ON or OFF. When set to OFF, digital zoom does not operate, and only optical zoom is available. When set to ON, digital zoom takes over after optical zoom reaches MAX (12X). Up to 200X/300X can be zoomed digitally.

When digital zoom is available, the resolution decreases.

ZOOM RATIO OSD (Zoom times display): Set Ratio OSD to ON, the number of the zoom ratio that you are operating displays on screen.

AF SENSITIVITY: NORMAL: Reaches the highest focus speed quickly. Use this when shooting a subject that moves frequently. **LOW:** Improves the stability of the focus. When the lighting level is low, the AF function does not take effect, even though the brightness varies, contributing to a stable image.

MF SPEED: Manual Focus variable speed, that has eight speed levels.

NEAR LIMIT: Can be set in a range from OVER, 8cm, 10cm, 14cm, 18cm, 25cm, 35cm, 55cm, 80cm, 1m, 1.2m, 1.5m, 2.0m, 3m, 5m.

ADAPTIVE PT: Set to ON, Pan Tilt speed would be adaptive with the zoom range. Turn ON to automatically adjust the Pan and Tilt speed with various zoom ratios. For example, the higher zoom ratio you use, the slower the speed of P/T.

P/T SPEED: Set P/T Speed value to from 0 to 5 (The speed from low to high), to change the speed of P/T on remote controller.

PRESET SPEED: Set preset speed value from 0 to 5 to change the preset speed.



PAN DIRECTION: Camera horizontal Left and right orientation setting, option: Normal/Invert

TILT DIRECTION: Camera tilt up and down orientation setting, option: Normal/Invert

SYSTEM Menu

OSD	SYSTEM MENU	
EXPOSURE	PELCO ID	001
WHITE BALANCE	IR-RECEIVE	ON
DETAIL	DISPLAY INFO	ON
PICTURE	PRESET MEMORY	ON
GAMMA	FACTORY RESET	
NETWORK	TALLY MODE	OFF
PAN TILT ZOOM	OPERATING LED	ON
▶ SYSTEM	LED BRIGHTNESS	NORMAL
	AUDIO	OFF
	RELOAD PRESET 1	ON
	VIDEO FMT	2160p29.97
	SDI	SINGLE 6G-SDI
	MCU FW	V0B1100S36[...]
	FPGA FW	V115

PELCO ID: When using RS485 (PELCO P/D) control, Set Camera ID to the address that you want to control to. This value is from 1-255.

IR-RECEIVE (Infrared Signal Reception): When this is set to OFF, the camera does not receive the signal from the infrared remote controller.

Be sure to keep it set to ON when you use the infrared remote controller.

Note: You cannot set IR-RECEIVE to OFF when you operate the menu using the infrared remote controller. To set it to OFF, use the appropriate VISCA controller.

DISPLAY INFO: When this item is set to ON, the message of the camera configuration appears for about 10 seconds on the screen, after the camera is powered on or rebooted.

PRESET MEMORY: This feature allows you to save the image parameter to PRESET memory, turn it on to save most image parameters like as picture, white balance, exposure, focus mode, zoom positions when you call the preset.

FACTORY RESET: You can select this item to set camera back to Factory Default setting by pressing HOME button to confirm the action. All data of the camera that have been set will be deleted.

TALLY MODE: When the tally mode is set to ON, the tally light on the camera will be turned on. If you connect the camera with BirdDog PTZ Keyboard, you can set the GPI I/O to Output mode in Keyboard Setting, then you can do tally control via the keyboard directly.

OPERATING LED: This item is set to OFF by default. You can turn it on and select different color for the operating LED which is surround the camera Lens.

You can select Red, Green, Blue and White color to display on the operating LED. While the operating LED is on, if you make any operation sending commands to the camera via keyboard or IR controller, the LED will be flashing indicating command receiving.

LED BRIGHTNESS: LED brightness level: LOW, MID and HIGH.

AUDIO: This item is set to OFF by default, user can set it to ON to enable camera MIC to capture audio signal.

RELOAD PRESET 1: When this item is set to ON, preset 1 is set to Home position. The camera goes to Home position when it is powered on or reset.

VIDEO FORMAT: This Video Format selection will determine the video format of both SDI and HDMI. You can change the video format by adjusting this item. Select the item, press "←" button to choose the video format you want to set to, then press "→" (Pressing "→" button changes value on some product models) or HOME button to confirm it. After you confirm your choice, press HOME button again to restore it. The camera will reboot by itself. The new video format is activated. You can cancel it by pressing the MENU button.

The video formats that you can select from are:

- 2160p: 29.97/25/23.98/24
- 1080p: 60/59.94/50/30/29.97/25/23.98/24
- 1080i: 60/59.94/50
- 720p: 60/59.94/50

When you select 4K video format 2160P, it will show extra selection for you to make for selecting SDI output format:

- **Dual-Link 3G-SDI mode.** In this mode, you can use Dual-Link 3G-SDI with two SDI BNC connectors device to display video.
- **Single 6G-SDI mode.** In this mode, you can use single 6G-SDI with one SDI BNC connector device to display video.

You can make the selection according to your backend video switcher equipment.

MCU FW: Software Version Number of MCU that is currently running on the camera, you may need this information for technical support.

FPGA FW: Software Version Number of FPGA that is currently running on the camera, you may need this information for technical support.

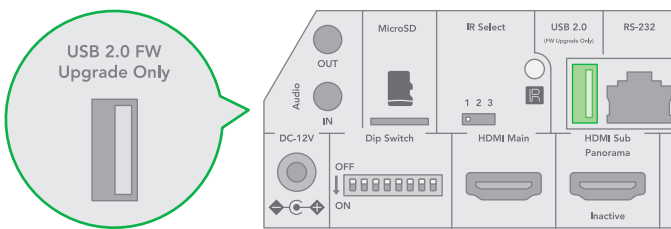


Firmware Upgrade

There are 4 types of firmware with this camera can be upgradable. The latest camera firmware is available to be downloaded at bird-dog.tv/firmware

1. MCU (Micro Control Unit) firmware upgrade via USB
2. IP encoder firmware upgrade via IP network

Upgrading MCU Firmware



MCU Firmware can be upgraded by following these steps:

1. Load the .bin file onto a flash drive (Formatted as FAT32), and name the file "HD20.bin"
2. With the camera powered off, insert the flash drive to the USB port on the back panel of the camera
3. Apply power to the camera

The green indicator light above beside of the lens will turn red for a few seconds while the upgrade takes place. Once the upgrade is finished, the light will turn off. The camera will proceed through a normal boot cycle. Check the Fw version information on the OSD boot screen to confirm the new FW has been upgraded.

Remote Controller

1. Power

- Power ON the camera to turn the camera in operation status.
- Power OFF the camera to turn the camera in stand-by status.
- When the camera is powered OFF, the camera turns to the back and would be on standby mode.
- When the camera is powered ON, the camera turns to the front.
- Powering the camera ON/OFF would not restart the camera.

2. Camera IR ID Selector for Remote Control.

3. AI Features, available when AI button (13#) is pressed. (Not activated).

4. Positioning Function and Number Buttons

- Preset Position Calling and Setting

5. Value adjusting + for Feature Item NO.11.

6. Preset button, to set preset position.

7. Zoom. Telescope and Wide with slow speed.

8. Auto Framing. (Not activated).

9. Direction Control

- PAN-TILT direction control
- OSD menu navigator
- HOME: Home position, confirm button, Enter button.

10. FOCUS

- Manual Focus, Far, Near
- Auto Focus

11. Features Direct Control, work with Value Adjust key + and - to make the feature adjustments.

- Gain, Image gain adjustments
- Color, Image color saturation adjustments
- Con., Image contrast adjustments
- WB.R, Image White Balance Red adjustments
- PT S., Pan/Tilt Speed adjustments
- Zoom S., Zoom Speed adjustments
- Preset S., Preset Speed adjustments
- WB.B, Image White Balance Blue adjustments
- Black L., Image Black Level adjustments
- Freeze, To get a frozen image.
- B Light, Back Light compensation
- OPW, One Push White Balance

12. Video Format Switching, Work under Fn button.

- You can change the video format by keep pressing the button. (When video format is changed, the camera would restart and the screen turns black for few seconds.)

13. MENU, On screen menu display ON/OFF

14. FN Function Mode key

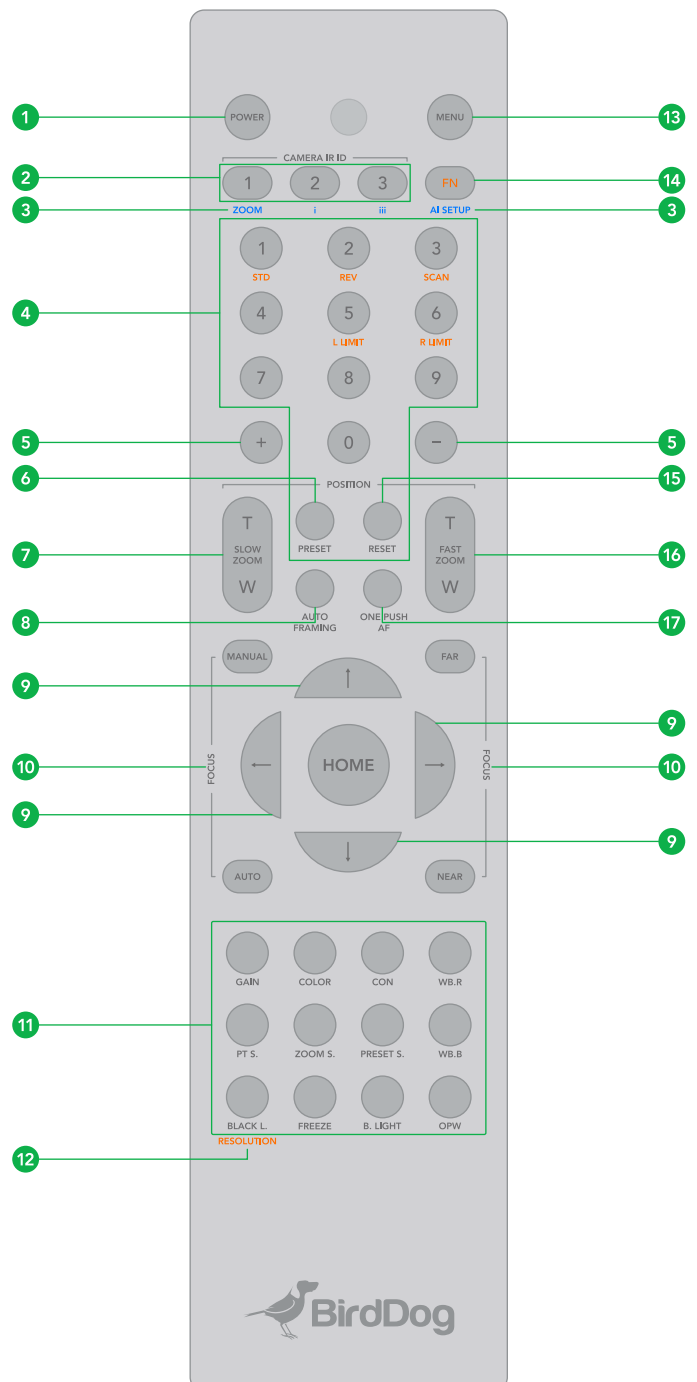
- Press and hold the Fn key, and press one of the function buttons that printed in color brown.

15. Reset button, to cancel preset that has been set.

16. Zoom. Telescope and Wide with fast speed.

17. One Push AF - Press once to focus.

Notes: Battery not included with remote controller.



Operation Using the IR Controller

Pan/Tilt and Zoom Operation

Panning and Tilting

1. Press the POWER switch.
The camera will turn on and perform the pan/tilt reset operation automatically.
2. Press the arrow button to pan or tilt the camera.
While checking the picture on the screen, press the desired arrow button.

To move the camera in short increments, press the button just for a moment.

To move the camera in long increments, press and hold the button.

To move the camera diagonally, press the "←, →" button while holding down the "↑, ↓" button.

Restore to starting position

Press the HOME button.

If the camera moves in a different direction from the one that you intended



The camera is preset so that the image output from the camera is rotated toward the right whenever you press the "←, →" button.



To face the camera toward the opposite direction

You might wish to face the camera towards the opposite direction from that of the button you pressed, for example, when you change the direction of the camera while checking the picture on the screen. In such a case, press and hold the Fn key, then press the 2 (REV) button.

To reset the setting

To reset the setting, press and hold the Fn key, then press the 1 (STD) button.

Arrow Button	Movement of the Camera	Setting
		While holding down FN Press 1 STD

Arrow Button	Movement of the Camera	Setting
		While holding down FN Press 2 REV

NOTE: The above setting only changes the signal emitted from the infrared remote controller, and does not change the

setting of the camera itself. Therefore, repeat the setting for each infrared remote controller if you are using more than one infrared remote controller.

When the STANDBY lamp is blinking

If the camera is moved forcibly, or a finger or other object interferes with camera movement, the camera may fail to memorize the pan/tilt position.

Press the PAN-TILT RESET button to reset the pan/tilt position.

Zooming

Button (Slow Zoom) [T] - Zoom-IN and [W] - Zoom-OUT slowly
Button (Fast Zoom) [T] - Zoom-IN and [W] - Zoom-OUT quickly

Operating Multiple Cameras with IR Controller

1. Set the DIP Switch on the rear panel of the camera to the number of camera you want to operate to 1, 2 or 3.
(See DIP Switch setting instruction).
2. Press one of the Camera IR ID button on the IR remote controller, the button will be illuminated, that means the camera that is set to IR ID Number will respond to the IR controller.
3. Always firstly check if the IR ID is set correctly same as the IR ID set on the camera when the camera is not responding to the IR controller.

Then, you can operate the camera(s) specified by number. Every time you operate the camera(s) using the IR remote controller, the Camera IR ID button pressed in step 2 flashes.

Adjusting the Camera Focus

Focusing on a Subject

Focusing the camera on a subject automatically

Press the AUTO button. The camera focuses on the subject at the center of the screen automatically.

Focusing the camera on a subject manually

After pressing the MANUAL button, press either the FAR or the NEAR button to have the camera focus on the subject.

Shooting with Back Lighting

When you shoot a subject with a light source behind it, the subject becomes dark. In such a case, press the BACK LIGHT button. To cancel the function, press the BACK LIGHT button again.

Note: The BACK LIGHT function is effective if MODE is set to FULL AUTO in the EXPOSURE menu of the camera.

Storing the Camera Settings in Memory the Presetting Feature

Memory (Preset)

Using the preset function, 9 sets of camera shooting conditions can be stored and recalled. 9 sets of camera shooting



conditions can be stored and recalled by using remote controller. Up to 128 presets via protocol programming.

This function allows you to achieve the desired status instantly, even without adjusting the following items each time.

- Pan/Tilt Position
- Zoom Position
- Focus Auto/Manual
- Focus Position
- AE Mode
- Shutter control parameters
- Bright Control
- Iris control parameters
- Gain control parameters
- Exposure Compensation On/Off
- Exposure Level
- Backlight Compensation On/Off
- White Balance Mode
- R/B Gain
- Aperture Control
- WD Parameter

The settings stored using this function are recalled when the power is turned on.

1. Press the PAN-TILT RESET button to reset the pan/ tilt position.
2. Adjust the position, zooming, focusing and backlighting of the camera.

While holding down the PRESET button, press any of the POSITION buttons, 1 to 9, in which you want to store the settings.

Recalling the stored settings

Press any of the POSITION buttons, [1] to [9], in which you have stored the settings.

Cancelling the preset memory

While holding down the RESET button, press the POSITION button from which you want to cancel the settings.

NOTES:

- When the power is turned on, the camera starts with the settings stored in POSITION 1.
- If you want to retain the previous pan and tilt positions, etc. before the power is turned off and turned on again, store those positions in POSITION 1.
- When you are storing or cancelling the settings in one POSITION, you cannot call up, store or cancel the settings in another POSITION.
- When the menu is displayed on the screen, you cannot perform the operation for storing, recalling, or cancelling the setting. Be sure to return to the normal display before starting these operations.

Adjusting the camera

Adjusting the camera, including camera image parameter (Gain, Color, Contrast, White Balance (Red & Blue), Black Level), camera speed (Pan/Tilt speed, zoom speed and preset speed), as well as Freeze, Back Light and One Push White Balance.

Gain-Adjust Gain

Press Gain button, the Gain button light will on, then press "+" or "-" button to adjust the Gain value. After done, press other button in this area, the Gain button light will off.

Color-Adjust Color

Press Color button, the Color button light will on, then press "+" or "-" button to adjust the Gain value. After done, press other button in this area, the Color button light will off

CON-Adjust Contrast

Press CON button, the CON button light will on, then press "+" or "-" button to adjust the Contrast value. After done, press other button in this area, the CON button light will off.

WB.B-Adjust White Balance (Red)

Press WB.R button, the WB.R button light will on, then press "+" or "-" button to adjust the White Balance Red color value. After done, press other button in this area, the WB.R button light will off.

WB.B-Adjust White Balance (Blue)

Press WB.B button, the WB.B button light will on, then press "+" or "-" button to adjust the White Balance Blue color value. After done, press other button in this area, the WB.B button light will off.

PT S.-Adjust Pan/Tilt Speed

Press PT S button, PT S button light will on, then press "+" or "-" button to adjust Pan/Tilt speed value. After done, press other button in this area, the PT S button light will off.

Zoom S.-Adjust Zoom Speed

Press Zoom S button, Zoom S button light will on, then press "+" or "-" button to adjust zoom speed value. After done, press other button in this area, the Zoom S button light will off.

Preset S.-Adjust Preset Speed

Press Preset S button, Preset S button light will on, then press "+" or "-" button to adjust preset speed value. After done, press other button in this area, the Preset S button light will off.

Black L.-Adjust Black Level

Press Black L button, Black L button light will on, then press "+" or "-" button to adjust black level value. After done, press other button in this area, the Black L button light will off.

B.Light-Adjust Back Light

Press B Light button, B Light button light will on, then press "+" or "-" button to adjust back light value. After done, press other button in this area, the B Light button light will off.

Freeze-Set Freeze

Press Freeze button, Freeze button light will on, the camera image will be frozen, press Freeze button again, Freeze button light will off, and camera image will back to normal.

OPW-Set One Push Whit Balance

Press OPW button, OPW button light will on, camera will be automatically readjusted white balance.

NOTE:

When you select the OPW (One Push White Balance), please perform the following operations:

1. Place an image of white subject (For example: A piece of white paper) in the center of the screen.
2. Press the OPW button of the infrared remote controller. the one-push white balance adjustment is activated.

After done, press other function button which in different color, the red color button light will off.

Fn Mode Key

Press and hold the Fn key, then press one of the function buttons that printed in color brown to have extra feature settings.

REV:

To face the camera toward the opposite direction, press and hold the Fn key, then press 2 (REV) button.

STD:

To reset the setting that configured in REV step, press and hold the Fn key, then press 1 (STD) button.

Scan:

To set the camera in scan mode, press and hold the Fn key, then press 3 (Scan) button. Press one more time to stop the scanning.

Left Limit:

To set the leftmost position that the camera can pan to. Use the arrow keys to turn the camera to the leftmost position you want to set, press and hold the Fn key, then press 5 (Left Limit) button, the left limit position has been set. When the camera is turned to the left and reach the left limit position, the camera will stop.

Right Limit:

To set the rightmost position that the camera can pan to. Use the arrow keys to turn the camera to the rightmost position you want to set, press and hold the Fn key, then press 6 (Right Limit) button, the right limit position has been set. When the camera is turned to the right and reach the right limit position, the camera will stop.

Resolution:

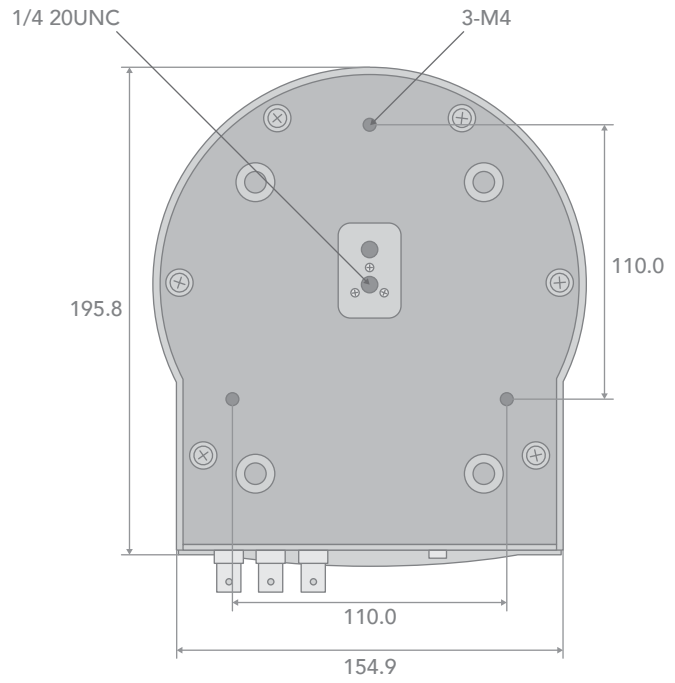
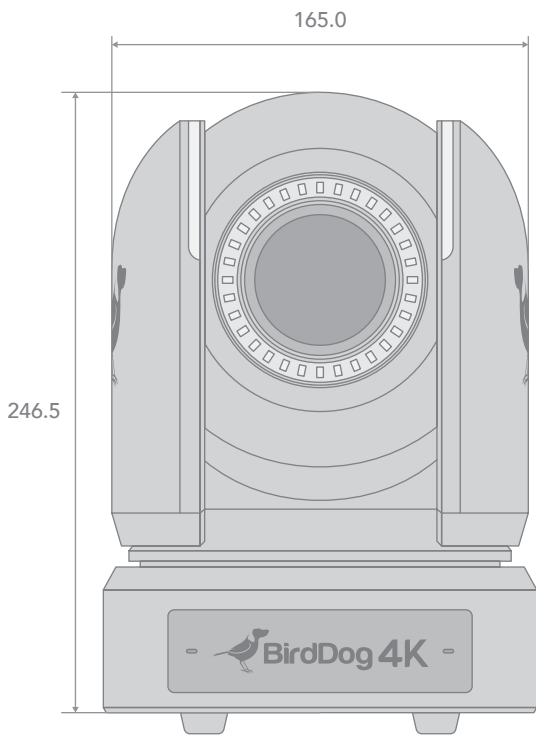
To change the video resolution, press and hold Fn key, then press the Resolution button to populate a menu where you can switch resolutions.

Changing Video Resolutions

- Press and hold Fn button, then press the Resolution button to populate a menu where you can switch resolutions
- Use the arrow keys to navigate
- Press Home to select
- Screen will show 'CHANGING...'
- Press Menu to exit

Dimensions

Unit: mm





WELCOME TO THE FUTURE.

bird-dog.tv

hello@bird-dog.tv