

PT4900-PTZ



Profesional 19" High-Bright PTZ-Compatible Teleprompter



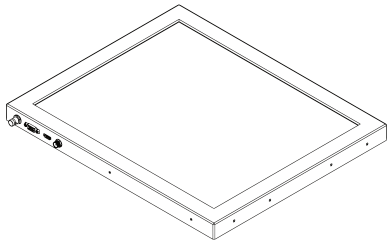
OVERVIEW

The 19" PTZ Teleprompter from Ikan is a professional solution for teleprompting with PTZ cameras. The package provides an extra-wide hood assembly to allow considerable movement of the camera within the wide beam splitter glass. The PTZ Teleprompter features a 19" 1000 cd/m² monitor, 70/30 20"-wide beamsplitter glass, and a 25' reading range. The teleprompter is designed for use with a wide range of PTZ cameras, as the wide beamsplitter provides for a wide amount of left-right panning. The teleprompter includes a base system that can be easily shifted forward and backwards, which enables mounting the camera to the prompter without requiring counterweights.

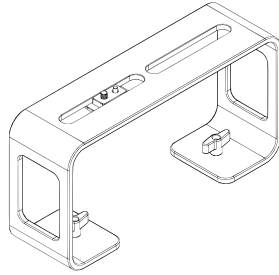
Please note that the PT4900-PTZ includes parts to build two types of teleprompter systems, a standard 19" Teleprompter that is compatible with various types of mirrorless and broadcast cameras, and a 19" PTZ teleprompter that is compatible with a wide range of PTZ cameras. This Quick Start Guide will show you how to set up the 19" Teleprompter for PTZ cameras. For instructions on how to set up the PT4900 for broadcast or mirrorless cameras, please refer to the PT4900 Quick Start Guide on our website.



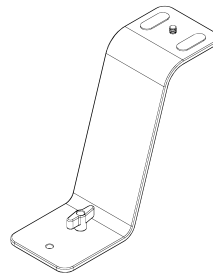
What's Included



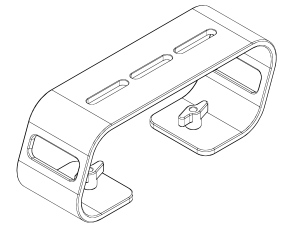
Monitor



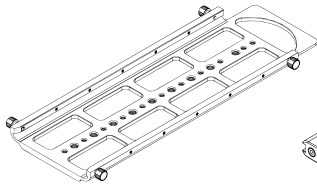
Large Riser



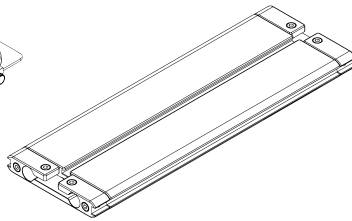
DSLR/Mirrorless Riser



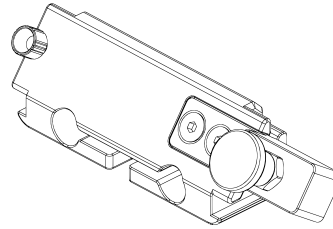
Medium Riser



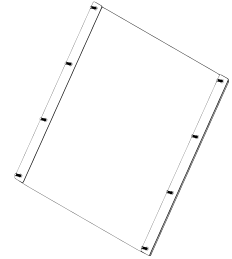
Bottom Plate



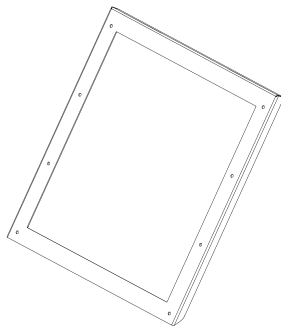
Base



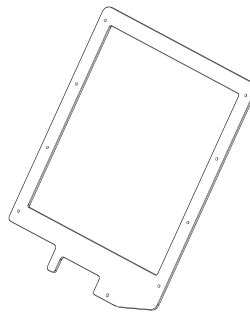
**Glass Frame Holder Bracket
w/ Rod Clamps**



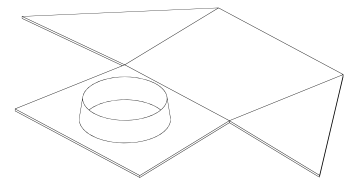
Glass



Hood Attachment Frame



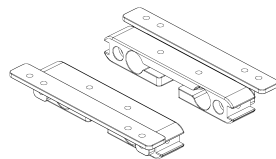
Glass Holder



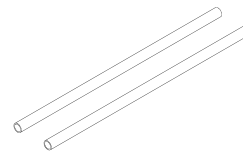
Hood



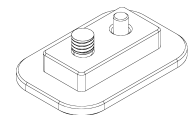
Glass Frame Screws



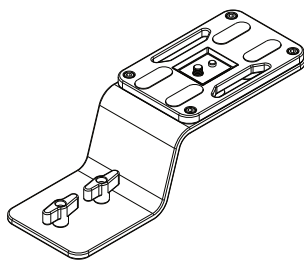
15mm Rod Clamps



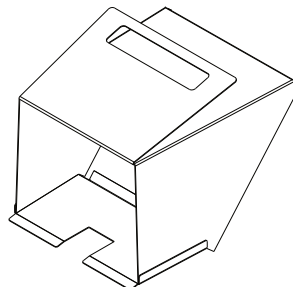
15mm Rods



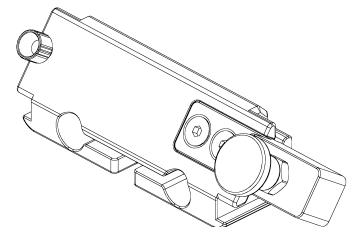
**Large Riser
Bracket**



PTZ Camera Riser



PTZ Hood

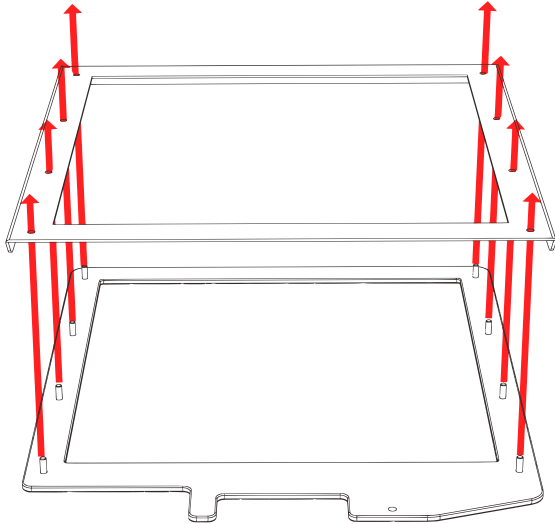


**Glass Frame Holder Bracket
w/ Rod Clamps for PTZ Cameras**

Teleprompter Assmeby Setup

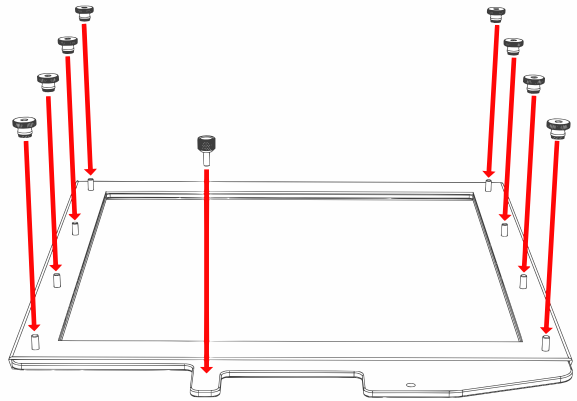
Step 1

Place the Hood Attachment Frame over the Glass Holder. Then place the glass against the Glass Holder. Make sure the screws pass through the holes on the both the Hood Attachment Frame and the Glass Holder.



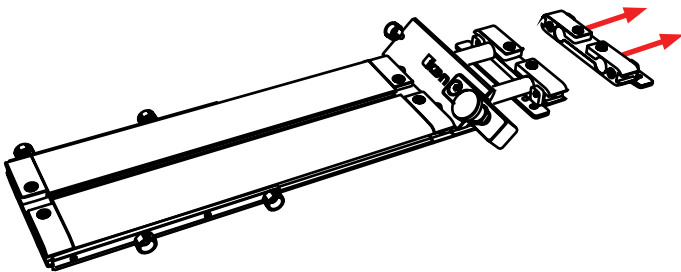
Step 2

Secure the Glass Holder by fastening the knurled nuts to the screws as pictured below.



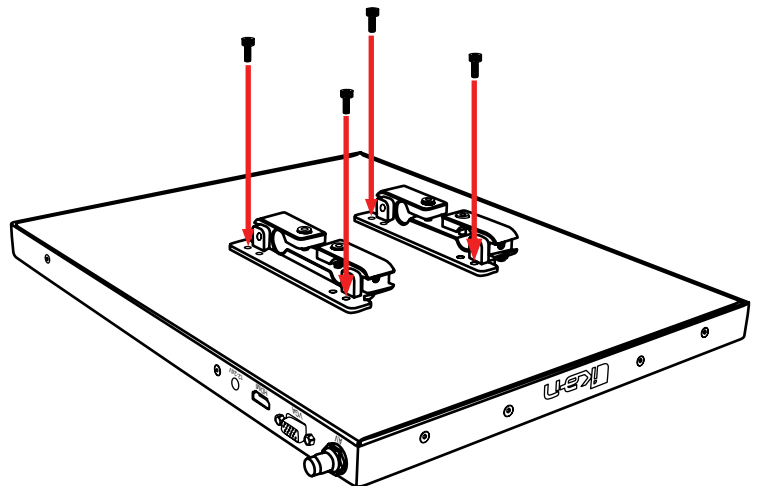
Step 3

Remove the monitor mounts from the teleprompter base using the included larger 4mm hex key to loosen from the 15mm rods.



Step 4

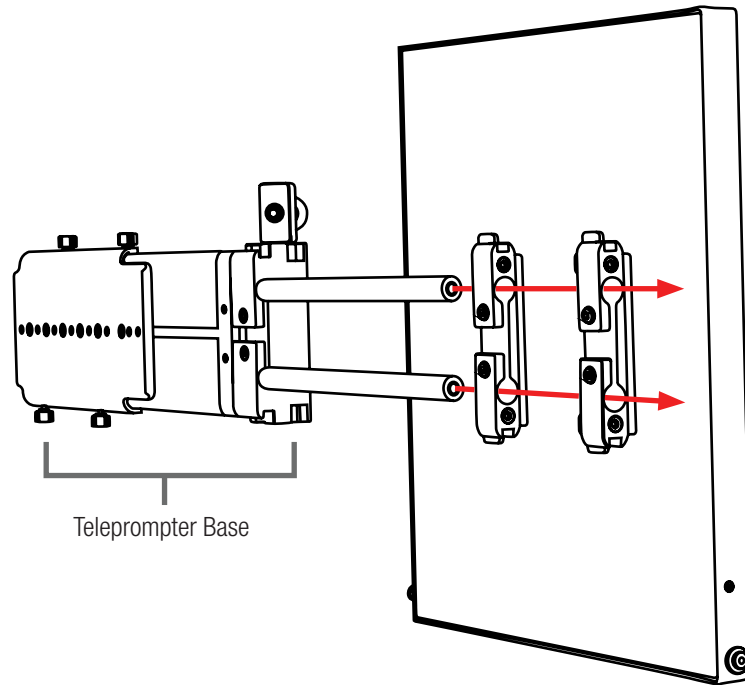
Put the washers on before tightening the screws. The washers and 4 additional screws are inside a bag on the bottom foam.



Step 5

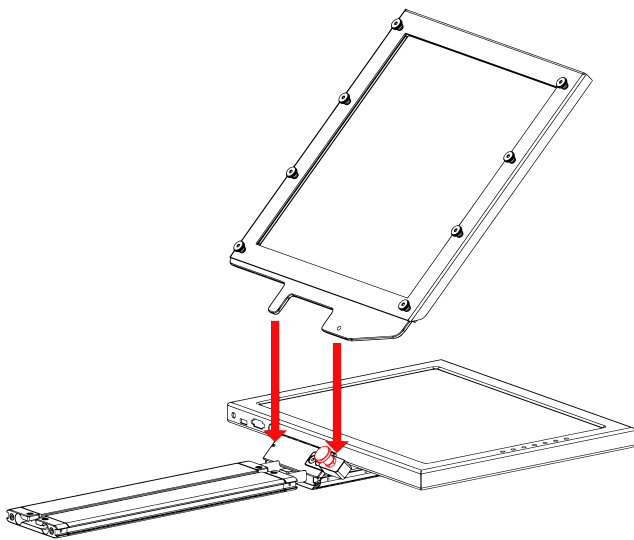
After the monitor mounts are attached, adjust the 15mm rods to accommodate the monitor. Leave about 1 inch of room for the teleprompter bracket. Make sure the 15mm rods go through both set of monitor mounts. Please ensure that all screws are properly tightened after inserting the monitor.

SAFETY NOTE Make sure to leave at least 2 inches of the rods inside the teleprompter base.



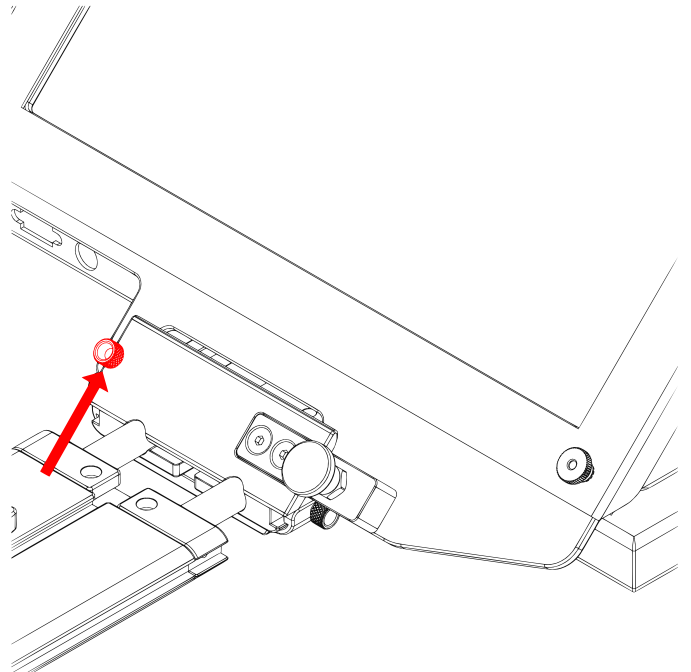
Step 6

While sliding the teleprompter bracket into the slot of the Glass Frame Holder Bracket, pull on the red knob to allow the bracket to fully slide in.



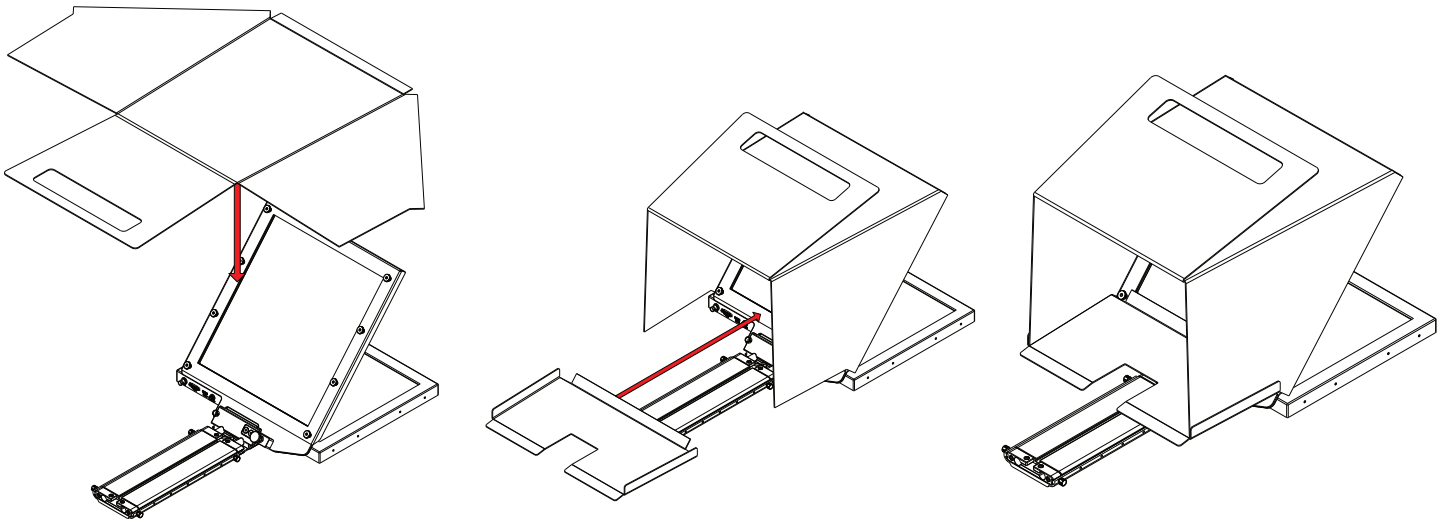
Step 7

Once the bracket is in place, tighten the side screw to lock in place. Double check and make sure all the screws are tightened with the included hex keys.



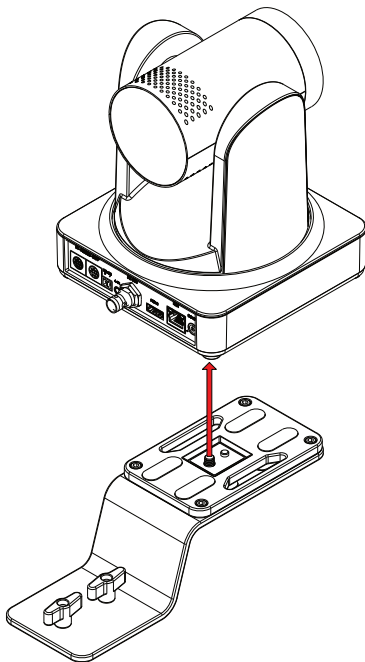
Step 8

Fold the flaps of the Hood alongside the edges of the Hood Attachment Frame. The flaps of the Hood are magnetic so they will automatically attach. Connect the bottom part of the hood by attaching the magnetic flap to glass frame holder. Connect the velcro straps to the sides of the hood.



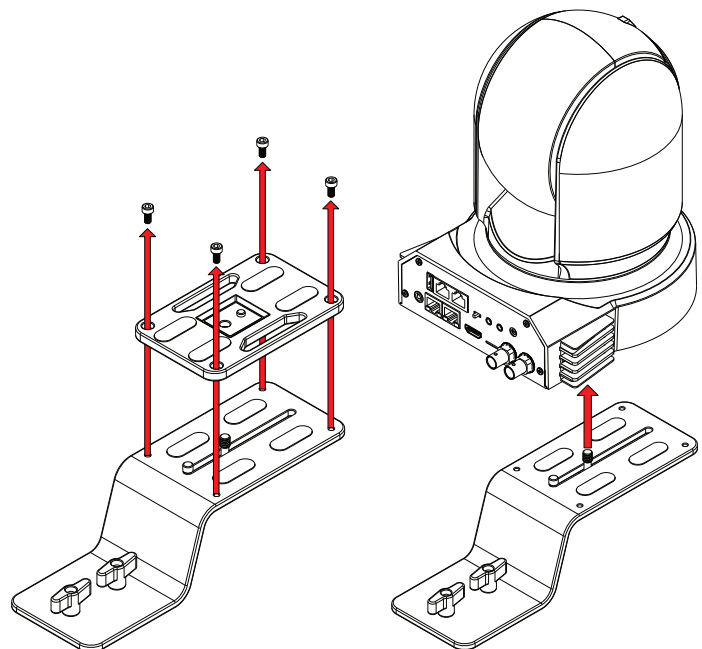
Step 9-A: Connecting the PTZ Riser to the Ikan OTTICA

To connect the PTZ Camera Riser to the Ikan OTTICA camera, fasten the 1/4-20 screw on the PTZ Riser Plate to the thread on the bottom of the OTTICA camera.



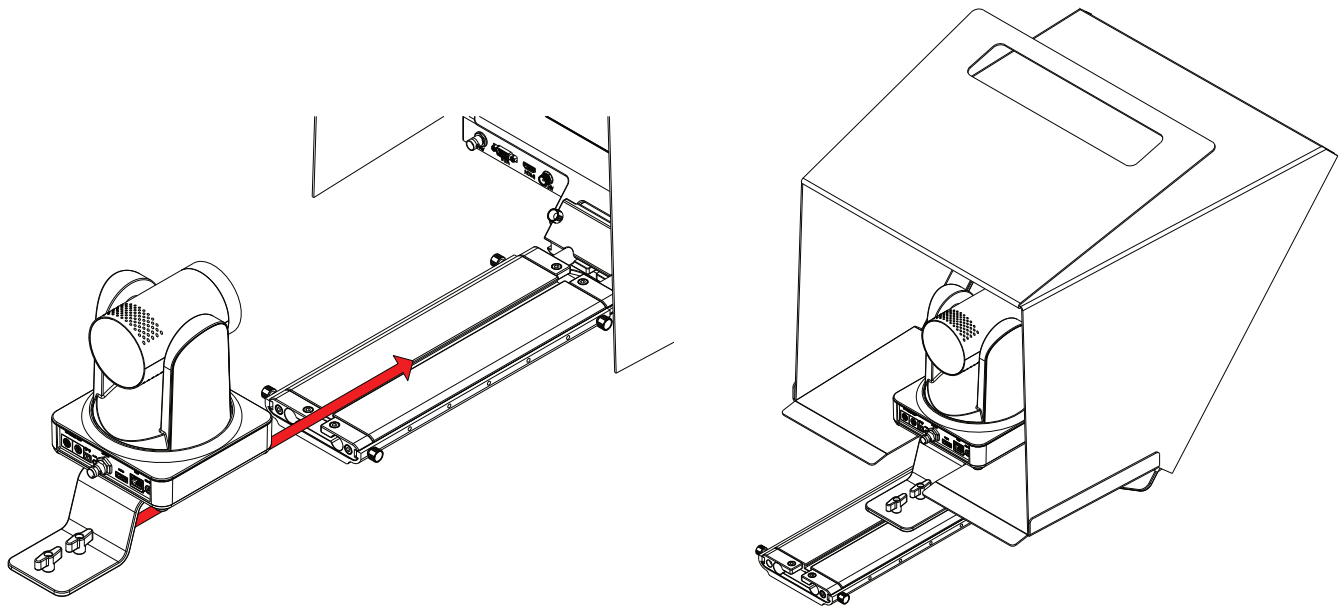
Step 9-B: Connecting the PTZ Riser to other PTZ Cameras

To connect the PTZ Camera Riser to the other PTZ cameras, Remove the plate on top of the PTZ Riser by unfastening the four screws on the surface of the plate. Once the plate has been removed, fasten the 1/4-20 screw on the PTZ Riser Plate to the thread on the bottom of the PTZ camera.



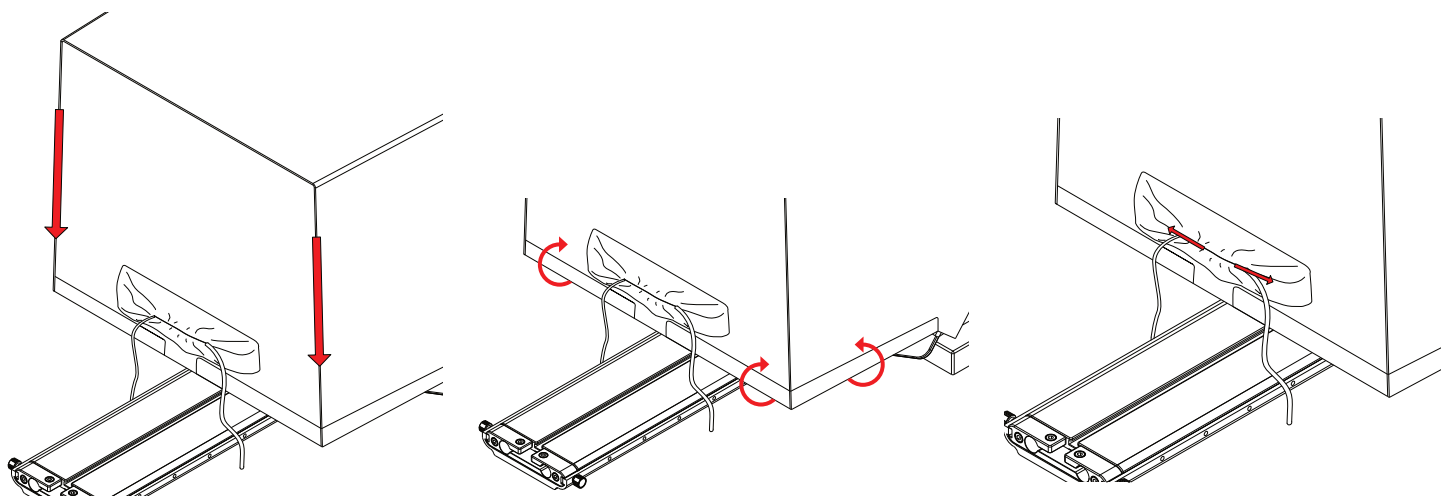
Step 10

Set the PTZ camera inside the hood by aligning the screws on the riser plate to the slot on the Base. Once the screws are aligned, Slide the riser plate into the Base.



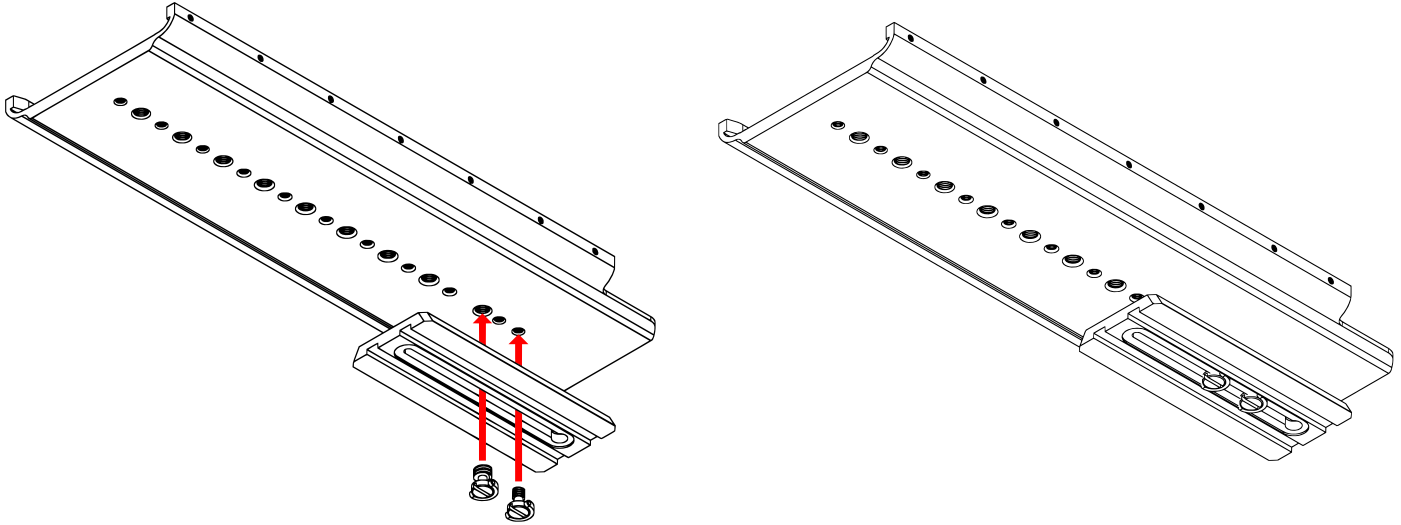
Step 11

To prevent light from leaking through the hood, seal both zippers down, attach the velcro straps along the back and sides of the hood. Connect the cables to the back of your PTZ camera by putting them through the slot on the back of the PTZ Hood. Once your cables are connected, tighten the draw string on the back of the PTZ Hood.



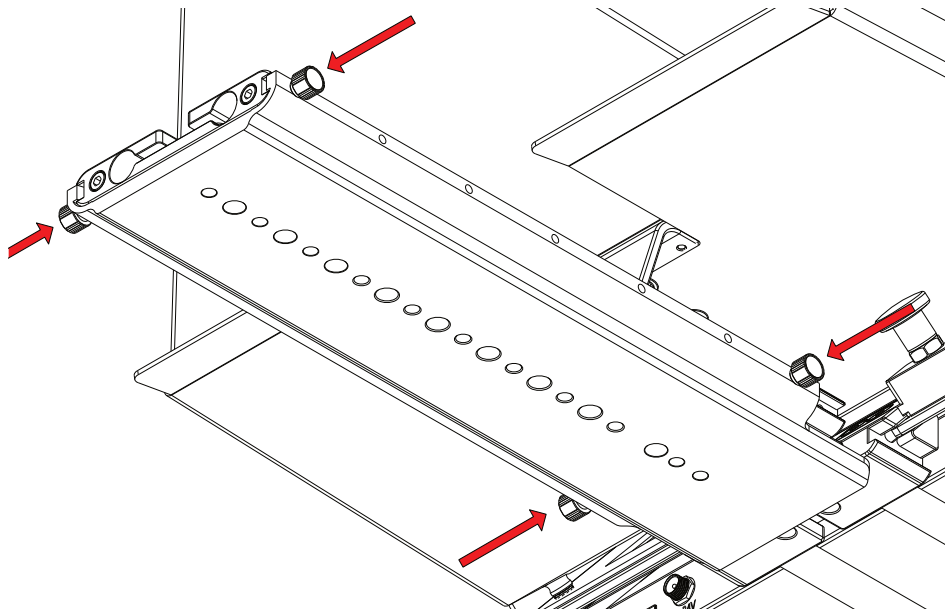
Step 12

Mount your own tripod plate to the bottom plate by aligning the 1/4-20 and/or 3/8-16 screws and fastening them to the Bottom Plate. It is recommended that you connect your tripod plate to front of the Bottom Plate so that you can balance your teleprompter easier. Once your tripod plate is connected to the Bottom Plate, mount the tripod plate to your tripod head.



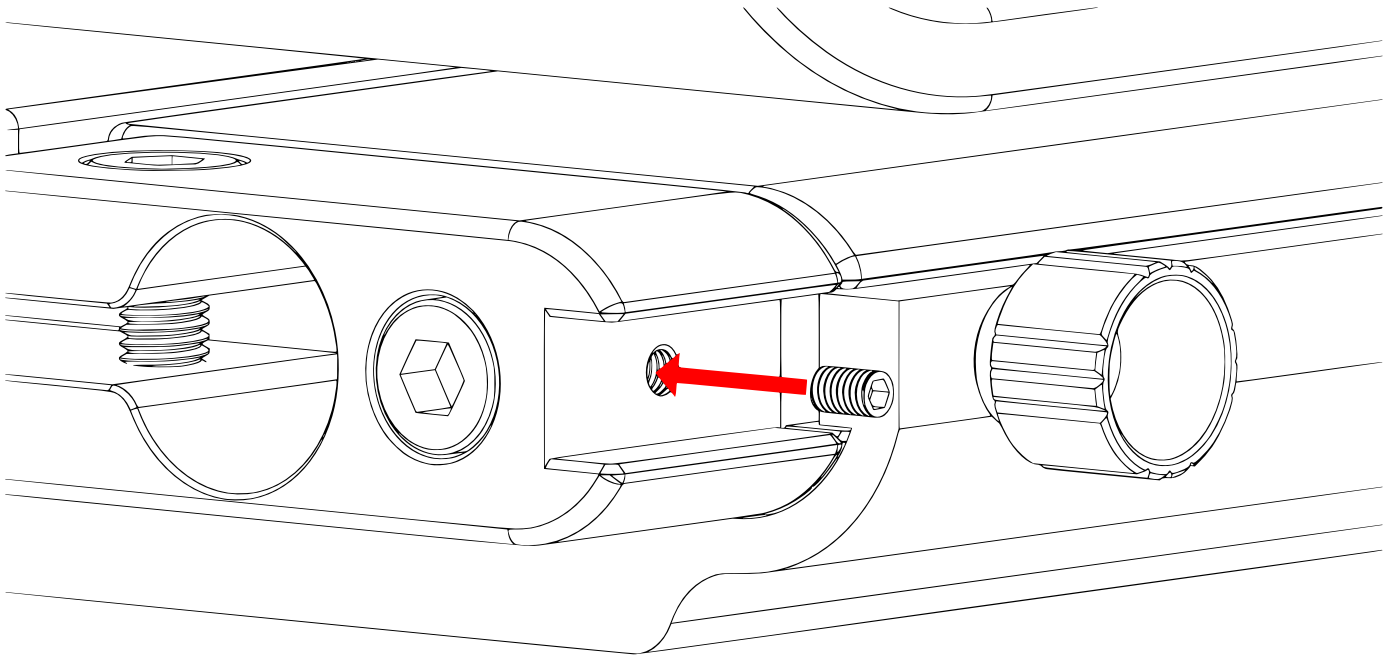
Step 13

In order to properly balance the teleprompter, loosen the 4 screws on the bottom plate and slide the entire teleprompter system back or forward until the center of gravity has been determined. Once the center of gravity has been determined, tighten the thumb screws to keep the base from sliding.



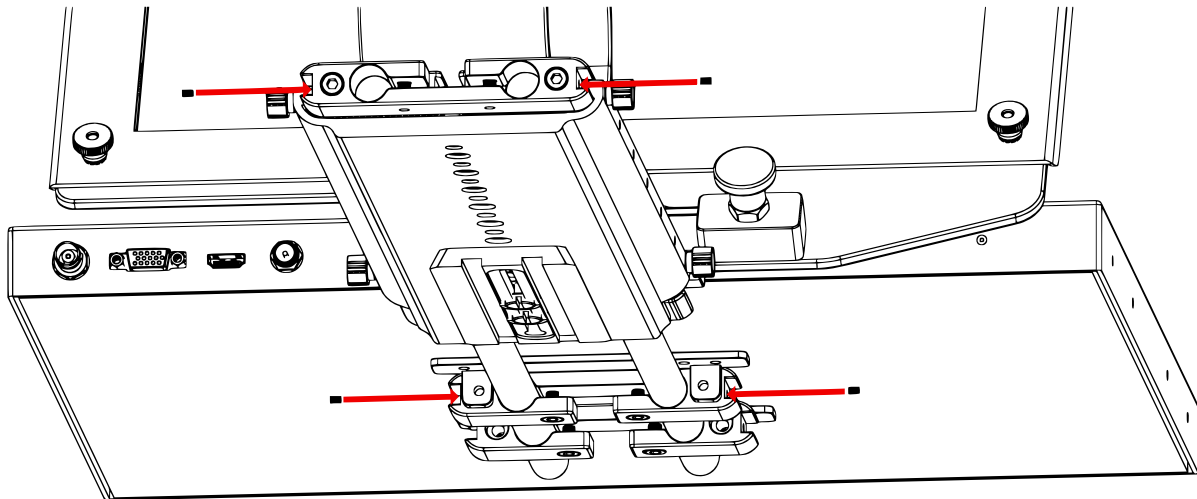
Step 14

To secure your teleprompter system, insert the included headless screws into the threads behind and in front of the Base.

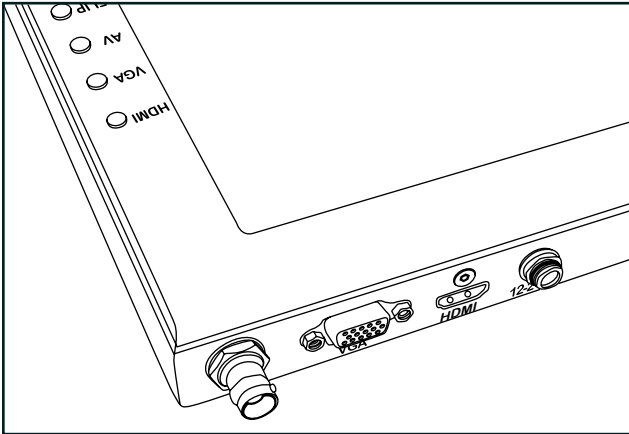


Step 15

The headless screws should be inserted to the threads as pictured below.



Monitor Ports



- BNC – AV Composite Input
- VGA – Video Graphics Array DE15 Connection
- HDMI – High-Definition Multimedia Interface Input Connection
- Power Port – 12-24v Input

Monitor Menu Settings

Video Config

- Contrast (White Level)
- Brightness (Black Level)
- Tint (Chroma Hue)
- Chroma (Chroma Saturation)
- Sharpness (Detail)
- RGB Setup – Manually configure RGB
- Return

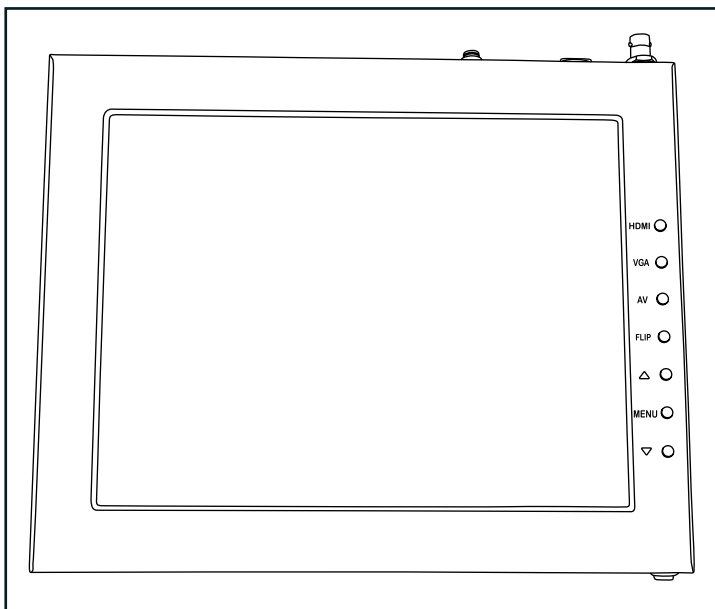
System Config

- Menu Duration – Set duration of how long menu stays on screen
- Video Ratio – Set screen aspect ratio 16:9 or 4:3 (4:3 is native resolution, 16:9 will create black bars)
- Flip-H – Assign toggle button to flip image horizontally
- Flip-V – Assign toggle button to flip image vertically
- Reset – Factory reset
- Return
- PC Setup (Only available for VGA)
 - H-Position – Adjust horizontal position
 - V-Position – Adjust vertical position
 - Auto – Monitor automatically adjust position
 - Return

Exit

How to set-up FLIP button feature:

1. Press MENU button
2. Navigate to SYSTEM CONFIG.
3. Navigate to FLIP-V or FLIP-H
4. Change FLIP-V and/or FLIP-H to "ON"
5. Exit MENU
6. The FLIP button should now be activated and can be pressed to mirror the image Horizontally or Vertically
7. When FLIP-H is ON, the image will flip Horizontally
8. When FLIP-V is ON, the image will flip Vertically
9. If both are ON, the FLIP button will toggle both Horizontal and Vertical flip



- HDMI – Switch HDMI input
- VGA – Switch to VGA input
- AV – Switch to composite BNC input
- Flip – Toggle image flip
(Can be set to horizontal, vertical, or both via menu)
- Up Arrow – Toggle up to adjust setting
- Menu – Access to monitor settings
- Down Arrow – Toggle down to adjust setting

Watch our VIDEO TUTORIAL on how to assemble Ikan Professional Teleprompters:

<https://youtube.com/playlist?list=PLcjaK5n9Y8ctrbYS3t2g4nyx2uAD0XjuF>



Specifications for PT4900-PTZ

TELEPROMPTER SPECS

Riser Plate Height	Low: 2.06 in./52.5mm Medium: 3.74 in./95mm High: 5.31 in./135mm DSLR: 6.29 in./160mm
Length of Rods	15mm x 400mm
Build Material	Chassis: Anodized Aluminum Rods: Carbon Fiber
Reading Range	25 ft. / 7.62 m
Beamsplitter Ratio	70/30
Beamsplitter Shape	Rectangular
Beamsplitter Material	Glass
Tripod Mounts	11 x 1/4 in. -20 Female 9 x 3/8 in. -16 Female
Product Weight w/ Low Plate	22.70 lbs.
Product Weight w/ Medium Plate	23.10 lbs.
Product Weight w/ High Plate	23.23 lbs.
Product Weight w/ DSLR Plate	22.60 lbs.
Height of Teleprompter	16 in./ 406mm
Angle of Glass Frame Holder	50°
Material of Hood	Polyester Canvas
Material of Riser Plates	Aluminum
Material of Glass Frame Holder	Aluminum

MONITOR SPECS

Aspect Ratio	4:3
Maximum Brightness	1000 cd/m2
Screen Size (Diagonal)	18.5 in.
Mount	VESA 100mm
Video Inputs	AV COMPOSITE, HDMI, VGA
Input Voltage	DC 12v / 4A
Power Consumption	21W
Product Weight	6 lbs.
Product Dimensions	17 in. x 15 in. x 1 in.
Native Resolution	1280 x 1024
Viewing Angle	160° (H) / 170° (V)
Build Material	Aluminum Chassis
Image Flip	Horizontal: Yes Vertical: Yes

Optional Accessories

PT4900-GM	Replacement Glass for PT4900
PT19W-TALLY	19" Widescreen Talent Monitor w/ Tally Add-on Kit for PT4900
PT-PEDAL	Teleprompter Foot Control Pedal
PT-CASE-V2	Rolling Hard Case for PT4900 Teleprompter

Foam Case

To make your teleprompter more portable, we packed it in a reusable, high-quality foam. The shape and size of the foam was designed to fit into Ikan's PT-CASE-V2.



**** DO NOT THROW AWAY FOAM CASE ****

Learn More

More dynamic information at official website: www.ikancorp.com

Support

Contact email: support@ikancorp.com

CONDITIONS OF WARRANTY SERVICE

- Free service for one year from the day of purchase if the problem is caused by manufacturing errors.
- The components and maintenance service fee will be charged if the warranty period is expired.

Free Service will not be Provided in the Following Situations:(*Even if the product is still within the warranty period.)

- Damage caused by abuse or misuse, dismantling, or changes to the product not made by the company.
- Damage caused by natural disaster, abnormal voltage, and environmental factors, etc.

©2022 Ikan International. All rights reserved.

