

SmartView 4K



\$1,255

The world's first full resolution Ultra HD broadcast monitor with multi rate 12G-SDI, an extremely bright display with wide viewing angle, plus advanced broadcast features like 3D LUT support, H/V delay, blue only, adjustable frame guides and more! SmartView 4K is compatible with all SD, HD and Ultra HD formats up to 2160p60. With both AC and DC power connections, SmartView 4K can be used in broadcast studios or on set.

Connections

SDI Video Input

2 SDI inputs automatically switch between SD, HD, 3G, 6G and 12G-SDI. Reclocked video output.

Optical Video Input

SFP Optical Fiber connector cage.

SDI Video Output

Automatically switches to input selection.

Multi Rate Support

Auto detection of 4K, 2K, HD or standard definition inputs.

Updates and Configuration

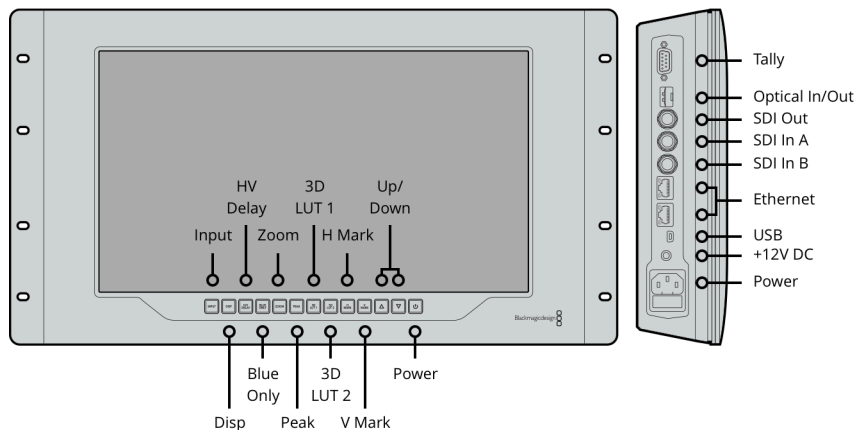
USB

Ethernet

Gigabit ethernet with loop through.

Tally

9-pin D connector



Standards

SD Format Support

525i59.94 NTSC, 625i25 PAL

HD Format Support

720p50, 720p59.94, 720p60
1080p23.98, 1080p24, 1080p25,
1080p29.97, 1080p30, 1080p47.95,
1080p48, 1080p50, 1080p59.94,
1080p60
1080PsF23.98, 1080PsF24,
1080PsF25, 1080PsF29.97, 1080PsF30
1080i50, 1080i59.94, 1080i60

2K Format Support

2Kp23.98 DCI, 2Kp24 DCI, 2Kp25 DCI,
2Kp29.97 DCI, 2Kp30 DCI, 2Kp47.95
DCI, 2Kp48 DCI, 2Kp50 DCI, 2Kp59.94
DCI, 2Kp60 DCI
2KPsF23.98, 2KPsF24, 2KPsF25,
2KPsF29.97, 2KPsF30

Ultra HD Format Support

2160p23.98, 2160p24, 2160p25,
2160p29.97, 2160p30, 2160p47.95,
2160p48, 2160p50,
2160p59.94, 2160p60

4K Format Support

4Kp23.98 DCI, 4Kp24 DCI, 4Kp25 DCI,
4Kp29.97 DCI, 4Kp30 DCI, 4Kp47.95
DCI, 4Kp48 DCI, 4Kp50 DCI, 4Kp59.94
DCI, 4Kp60 DCI

SDI Compliance

SMPTE 259M, SMPTE 292M, SMPTE
296M, SMPTE 372M, SMPTE 424M
Level A and B, SMPTE 425M, SMPTE
2082.

SDI Color Space

REC 601, REC 709

SDI Auto Switching

Automatically selects between SD,
HD, 3G, 6G and 12G-SDI.

Video Sampling

4:2:2 and 4:4:4

Software**Internal Software Upgrade**

Via included firmware
updater software.

Settings Control

Via USB or Ethernet.

Operating Systems

Mac 10.15 Catalina,
Mac 11.1 Big Sur or later.



Windows 10, 64-bit.

Display**Display Element**

15.6" TFT Active Matrix LCD

Response

25 ms

Color Depth

16.7 million colors

Display Resolution

3840 x 2160 pixels

Contrast Ratio

1000:1

Power Requirements

Power Supply

Built in IEC 100 - 240V AC power supply, plus DC input jack for external power.

Power Consumption

24 Watts

Physical Specifications



Environmental Specifications

Operating Temperature

0° to 40° C (32° to 104° F)

Storage Temperature

-20° to 60° C (-4° to 140° F)

Relative Humidity

0% to 90% non-condensing

What's Included

SmartView 4K

Welcome wallet with QR code for software download

Warranty

12 Months Limited Manufacturer's Warranty.

All items on this website are copyright Blackmagic Design Pty. Ltd. 2021, all rights reserved. All trademarks are property of their respective owners. MSRP includes duties, but excludes sales tax and shipping costs. This website uses remarketing services to advertise on third party websites to previous visitors to our site. You can opt out at any time by changing cookie settings. [Privacy Policy](#)

Blackmagic Design Authorized Reseller